

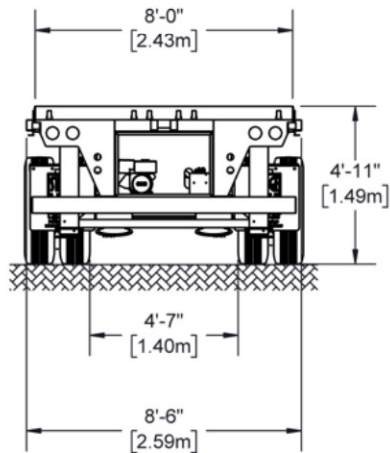
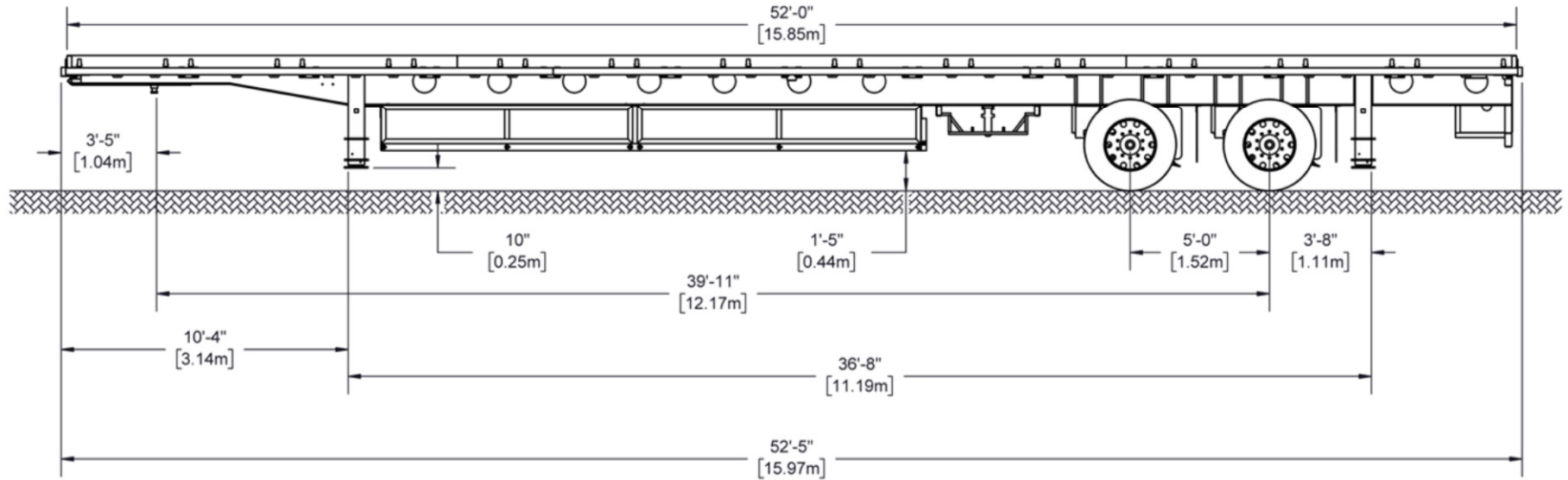
52' HYDRAULIC
FLATBED

52' HYDRAULIC FLATBED TECHNICAL DRAWINGS

STAGE
LINE

MASS & DIMENSIONS

ROAD CONFIGURATION



MASS	UNLADEN		MAXIMUM CAPACITY	
	LB	KG	LB	KG
Total Mass	15,990	7,253	60,000*	27,216*
Mass on Axle	11,210	5,085	46,000*	20,865*
Mass on Hitch	4,780	2,168	14,000	6,350

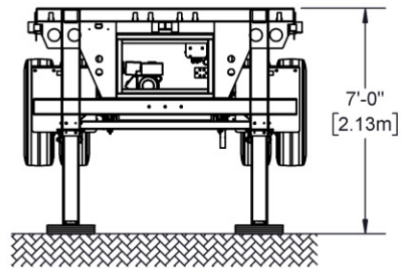
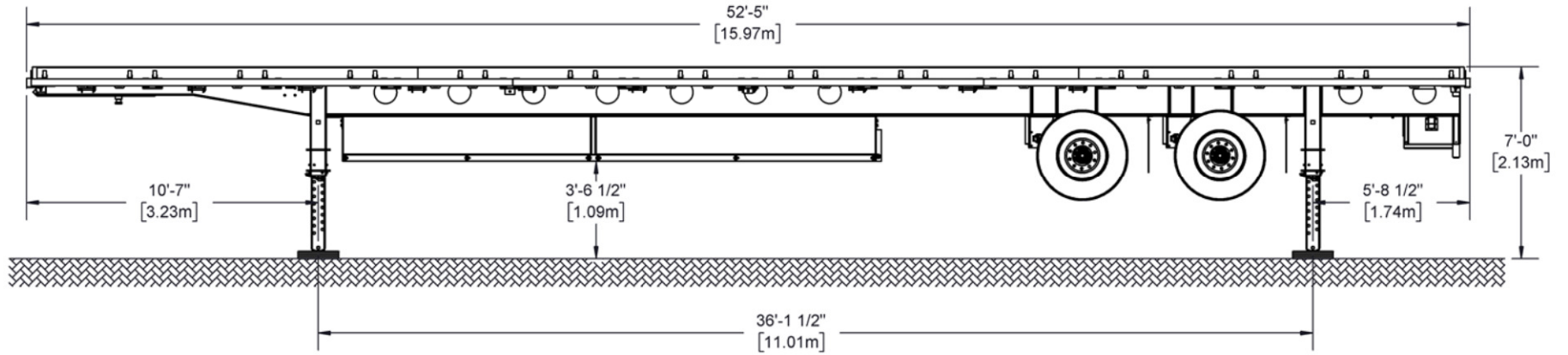
* Technical specifications maximum capacities.
Total Mass and Mass on Axle must comply with applicable road regulation limits.



Drawings may show stage equipped with optional accessories. May be sold separately.
© 2022 - All rights reserved, Stageline Mobile Stage Inc. Any and all forms of adaptation or reproduction of this document including the plans and drawings, in whole or in part, are strictly forbidden without the written authorisation of Stageline Mobile Stage Inc. Mass may vary depending on options.
Technical specifications may change without notice. Stage specifications are subject to change without notice. Figures are nominal.

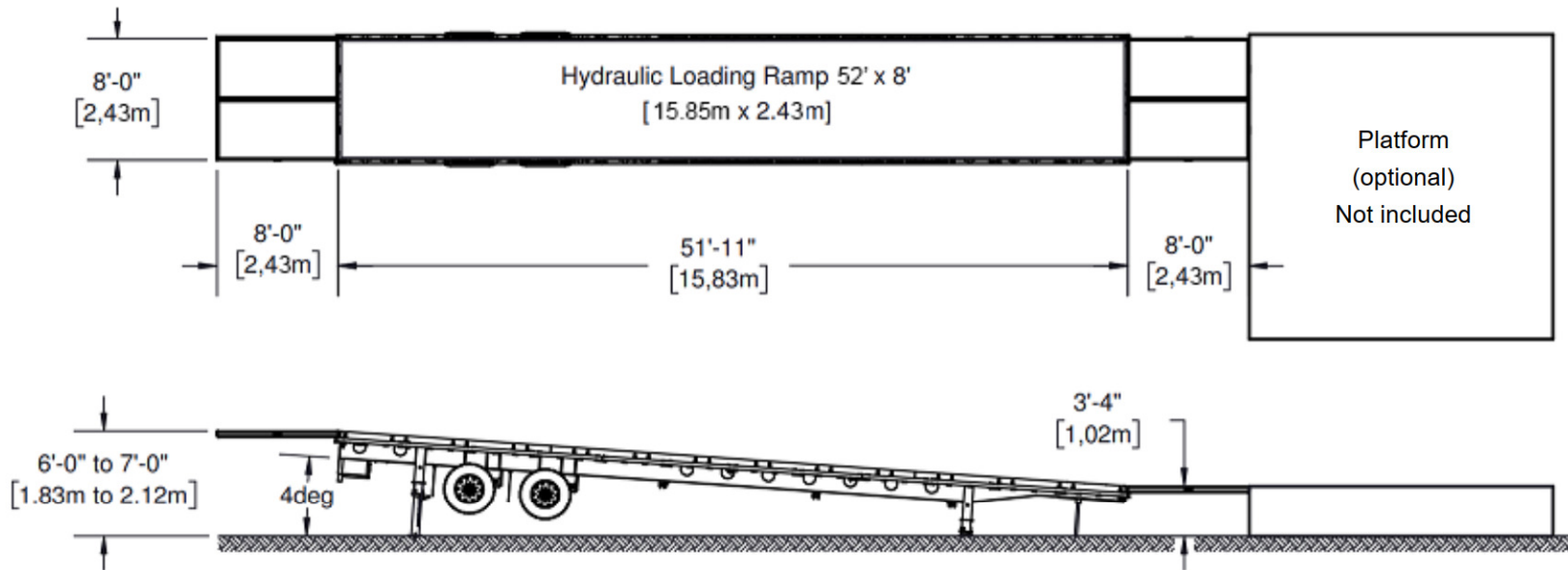
DIMENSIONS

FULLY EXTENDED STABILIZERS



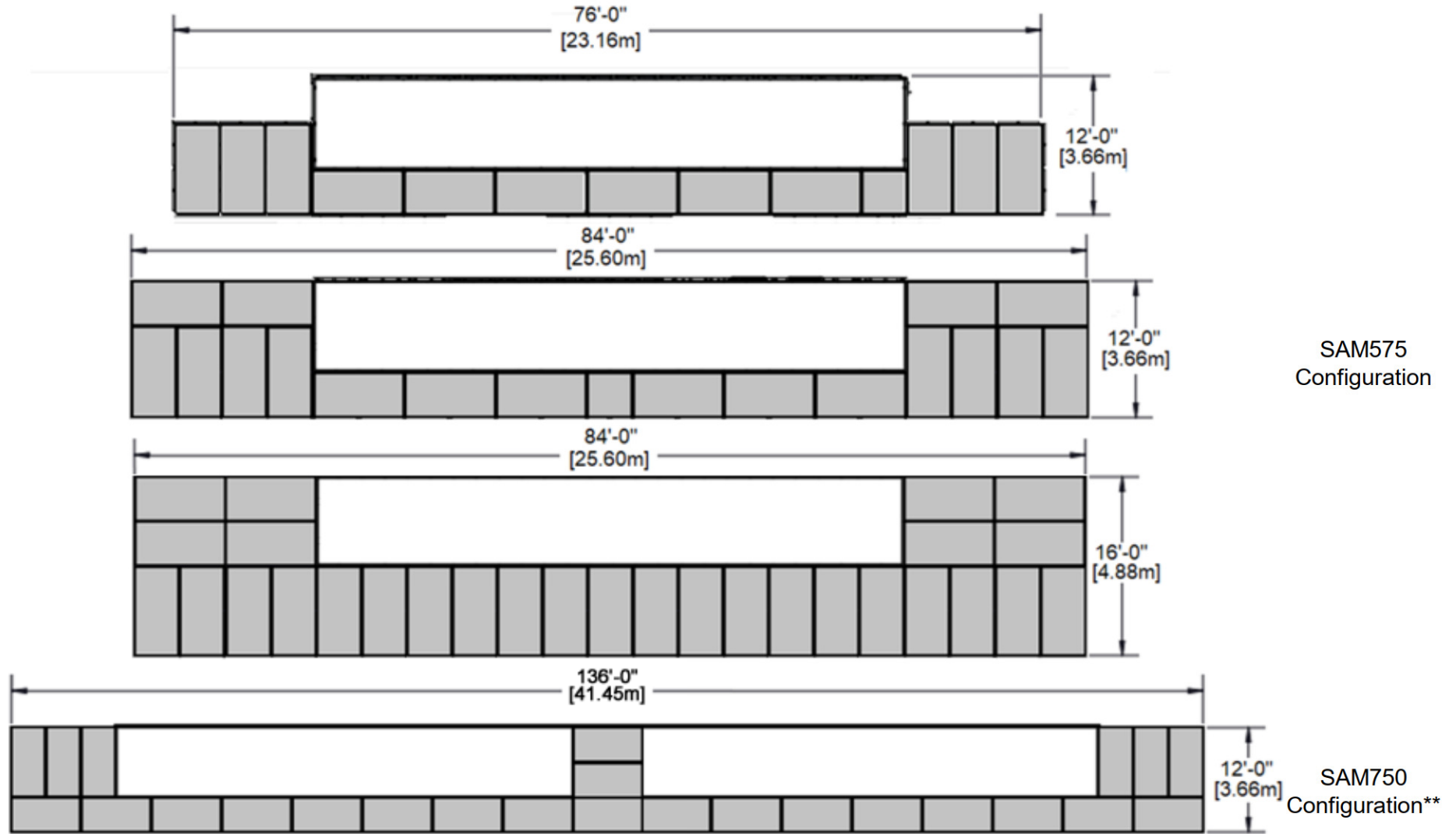
Drawings may show stage equipped with optional accessories. May be sold separately.
© 2022 - All rights reserved, Stageline Mobile Stage Inc. Any and all forms of adaptation or reproduction of this document including the plans and drawings, in whole or in part, are strictly forbidden without the written authorisation of Stageline Mobile Stage Inc. Mass may vary depending on options.
Technical specifications may change without notice. Stage specifications are subject to change without notice. Figures are nominal.

HYDRAULIC RAMP CONFIGURATION



Drawings may show stage equipped with optional accessories. May be sold separately.
 © 2022 - All rights reserved, Stageline Mobile Stage Inc. Any and all forms of adaptation or reproduction of this document including the plans and drawings, in whole or in part, are strictly forbidden without the written authorisation of Stageline Mobile Stage Inc. Mass may vary depending on options.
 Technical specifications may change without notice. Stage specifications are subject to change without notice. Figures are nominal.

CROSSOVER CONFIGURATIONS



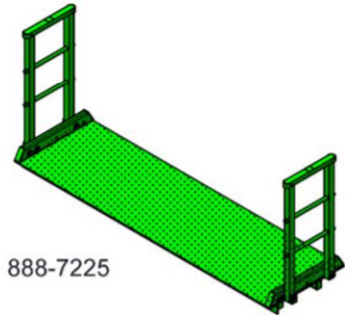
Platforms

* Validate platforms quantity with Stageline representative.

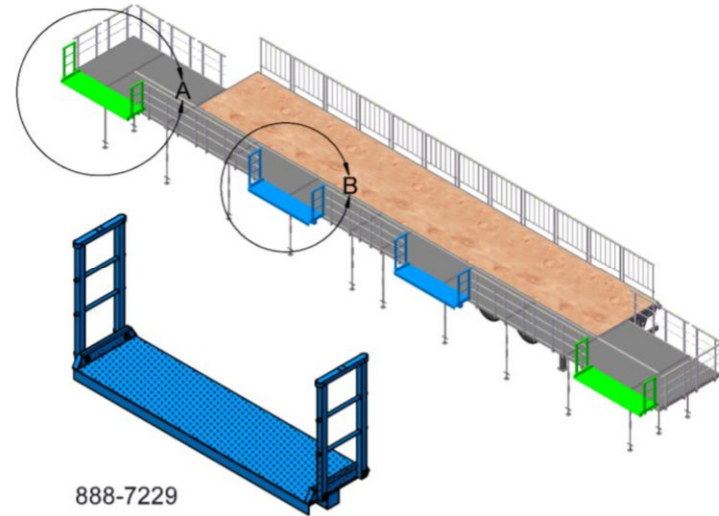
** Two 52' Hydraulic Flatbed configuration.



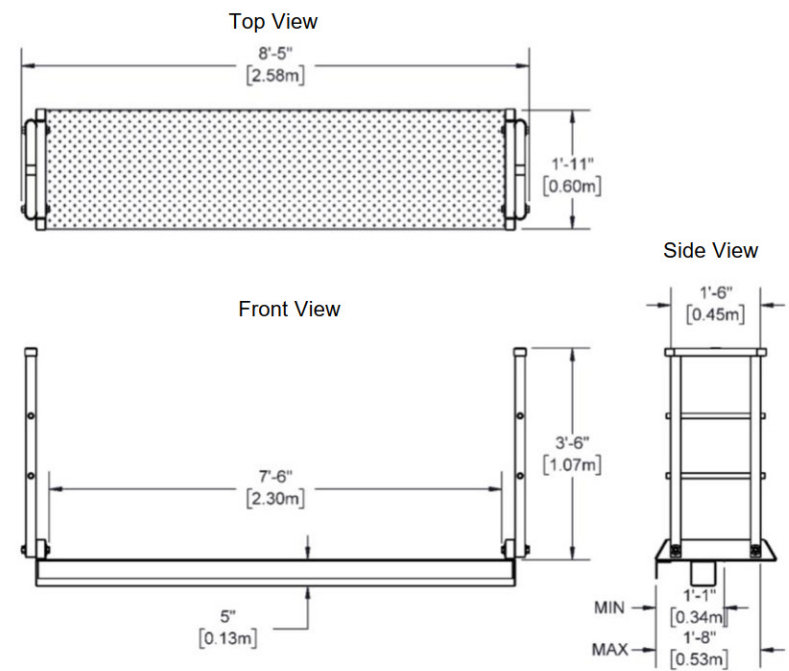
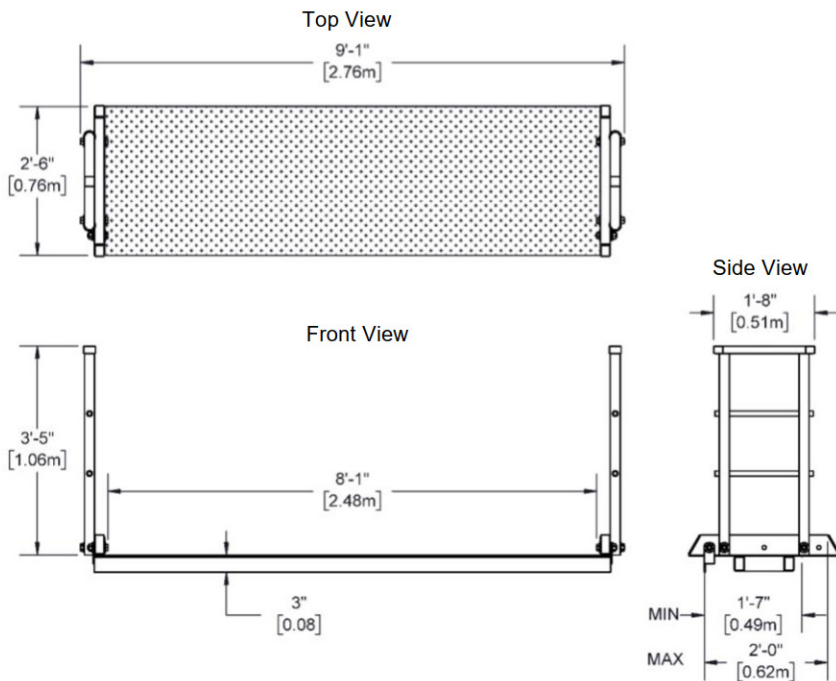
Drawings may show stage equipped with optional accessories. May be sold separately.
 © 2022 - All rights reserved, Stageline Mobile Stage Inc. Any and all forms of adaptation or reproduction of this document including the plans and drawings, in whole or in part, are strictly forbidden without the written authorisation of Stageline Mobile Stage Inc. Mass may vary depending on options.
 Technical specifications may change without notice. Stage specifications are subject to change without notice. Figures are nominal.



888-7225



888-7229



827 L'Ange-Gardien Blvd., L'Assomption
Quebec, Canada J5W 1T3
1 450.589.1063 / North America 1 800.267.8243
stageline.com

MOBILE STAGES | SALES & RENTALS

