

SAM750

SAM750 TECHNICAL DRAWINGS

UNIT #

#750



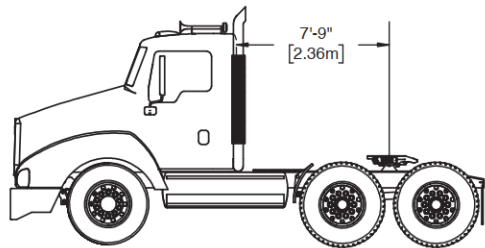
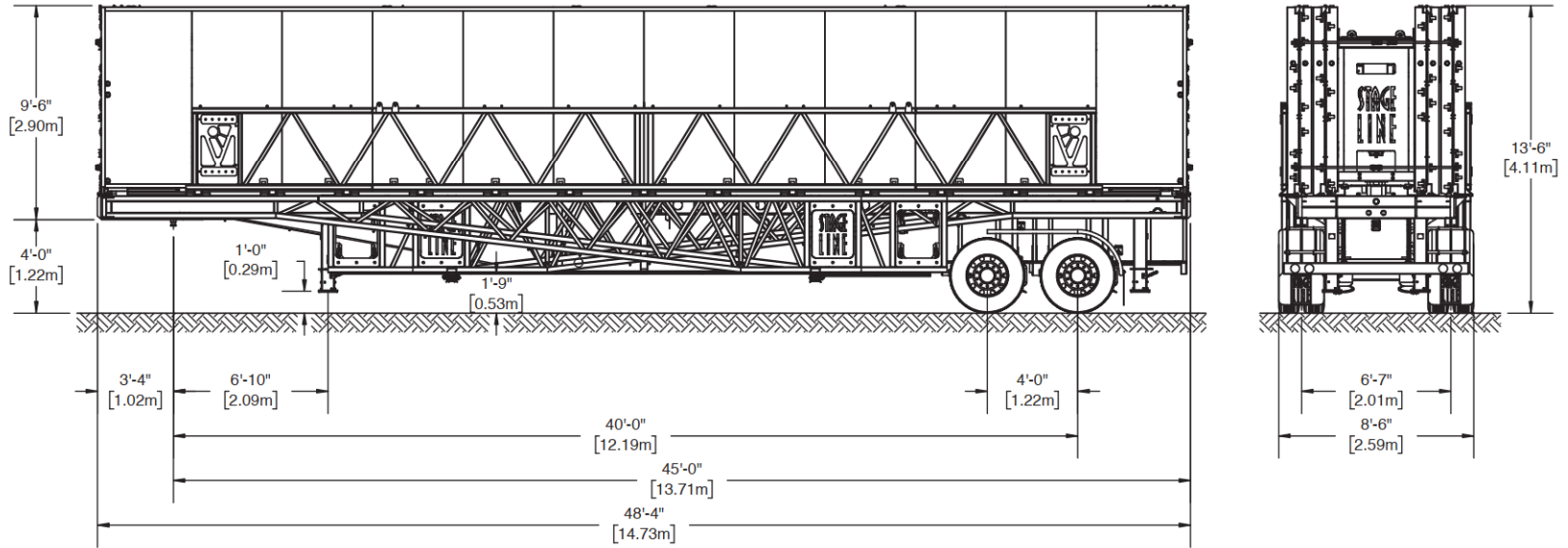
INNOVATIVE MOBILE STAGING

DIMENSIONS - FLOOR TRAILER

UNIT #

#750

SAM750



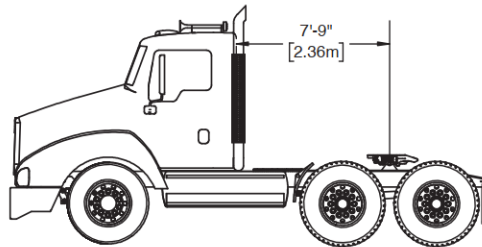
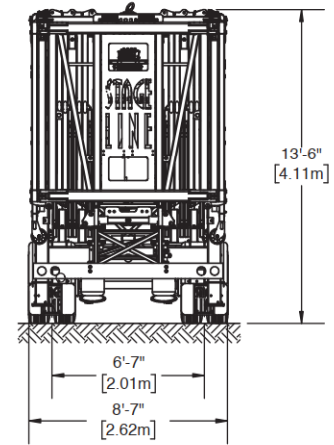
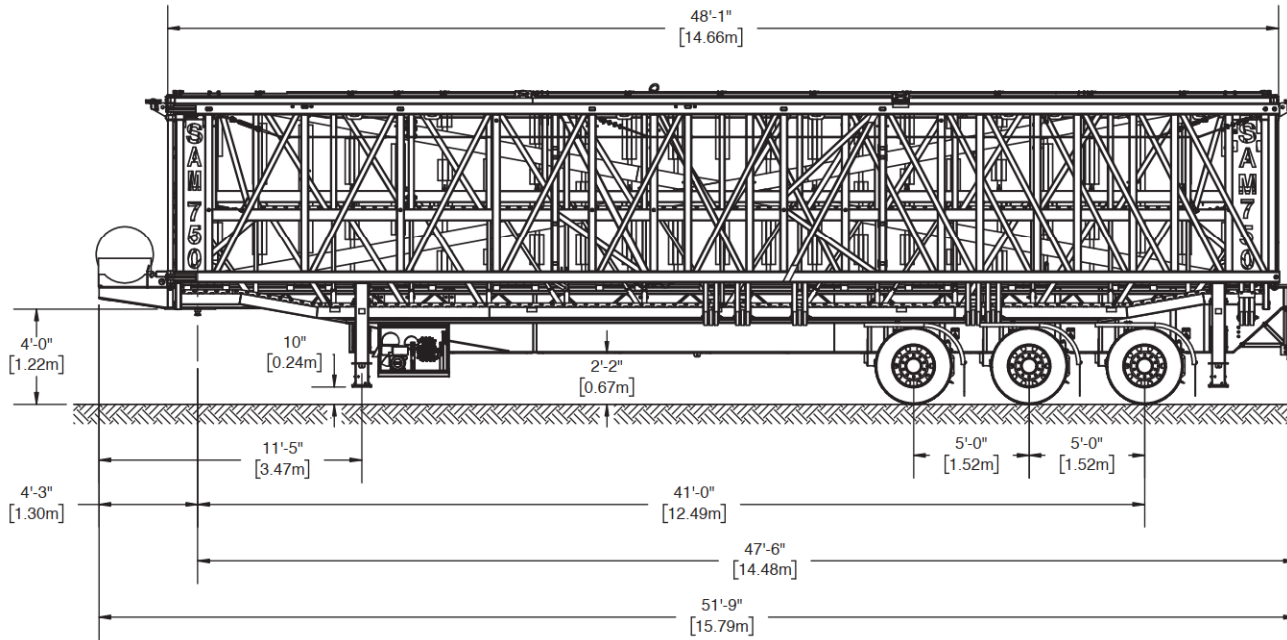
For trailer weights, refer to "WEIGHT DISTRIBUTION - ALL TRAILERS" page.

DIMENSIONS - ROOF TRAILER

UNIT #

#750

SAM750



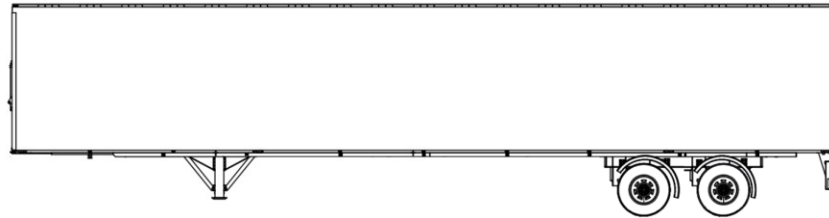
For trailer weights, refer to "WEIGHT DISTRIBUTION - ALL TRAILERS" page.

WEIGHT DISTRIBUTION - ALL TRAILERS

UNIT #

#750

SAM750



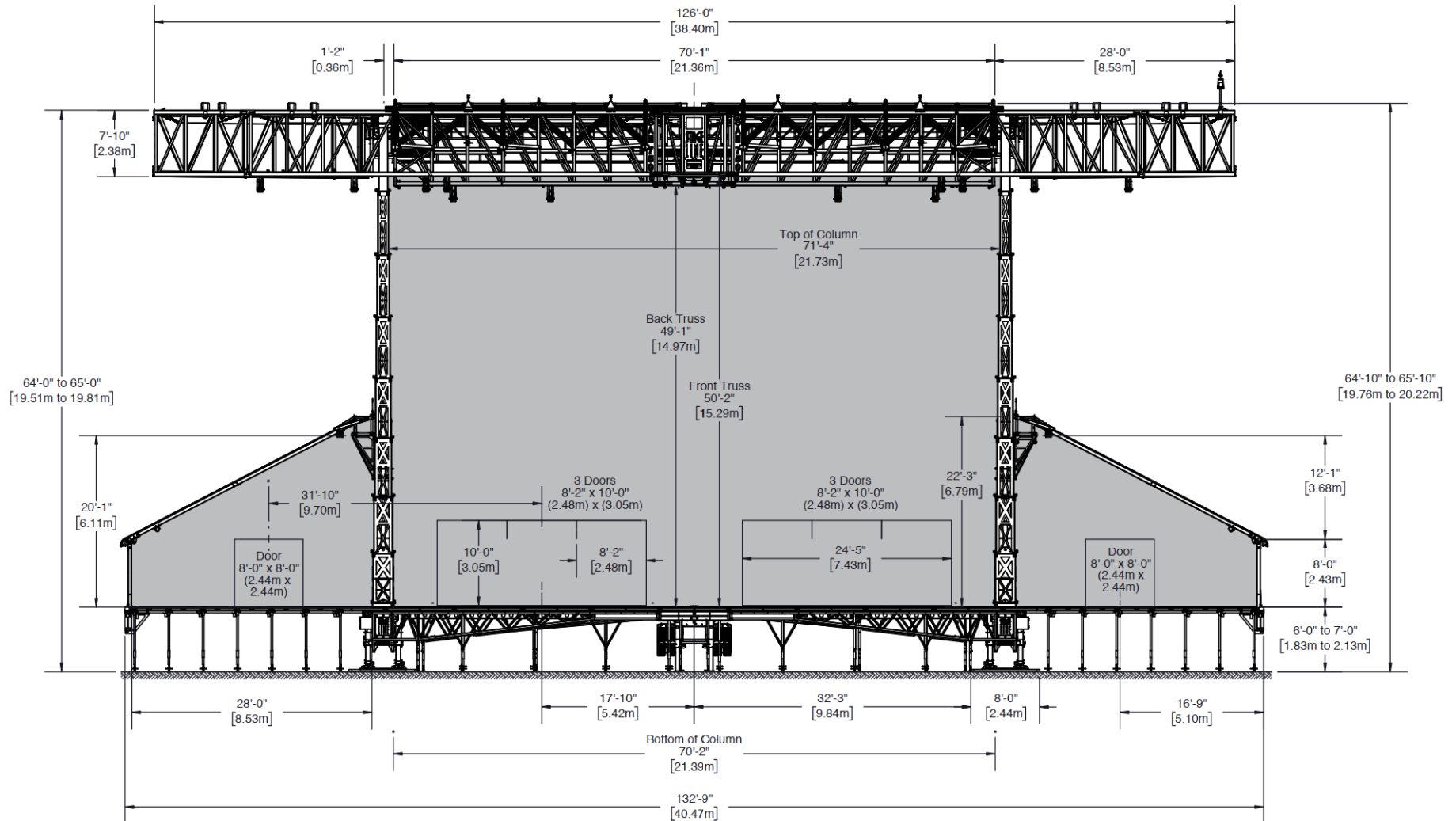
TRAILER NUMBER	MASS ON HITCH		MASS ON AXLES		TOTAL MASS	
	lb	kg	lb	kg	lb	kg
750 A Floor	23180	10514	31840	14442	55020	24957
750 B Roof	19490	8841	40080	18180	59570	27021
750 C	22460	10188	22900	10387	45360	20575
750 D	23970	10873	33560	15223	57530	26095
750 E	15310	6945	33370	15136	48680	22081
750 F	24020	10895	31640	14352	55660	25247
750 G	22430	10174	32320	14660	54750	24834

FRONT VIEW WITH COVERED WINGS

UNIT #

#750

SAM750



Windwall



Drawings may show stage equipped with optional accessories. May be sold separately.
 © 2022 - All rights reserved, Stageline Mobile Stage Inc. Any and all forms of adaptation or reproduction of this document including the plans and drawings, in whole or in part, are strictly forbidden without the written authorisation of Stageline Mobile Stage Inc. Mass may vary depending on options.
 Technical specifications may change without notice. Stage specifications are subject to change without notice. Figures are nominal.

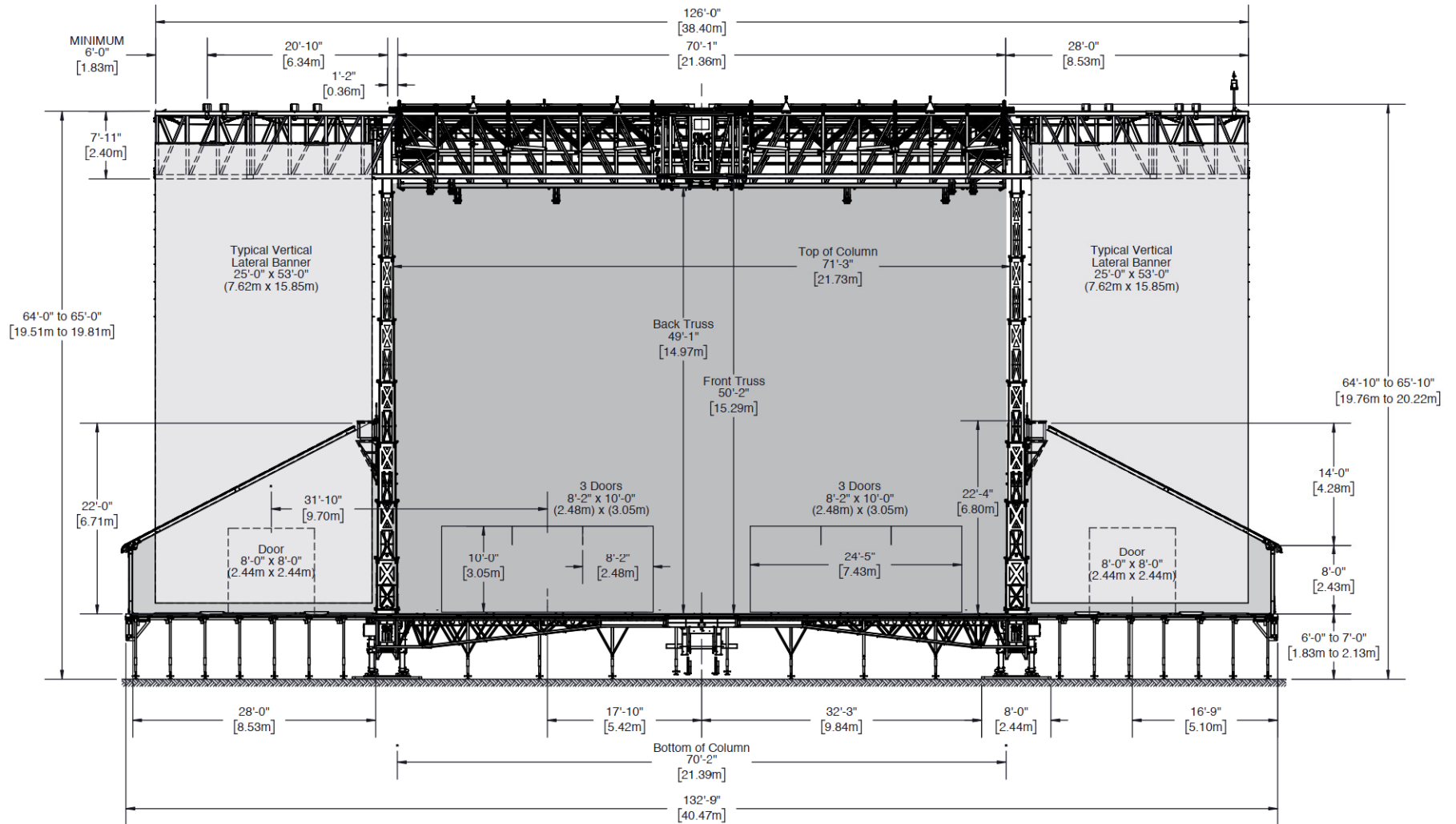
SAM750_#750_Tech_drawings_SMS4280_R2
 stageline.com | info@stageline.com

FRONT VIEW WITH COVERED WINGS & BANNERS

UNIT #

#750

SAM750



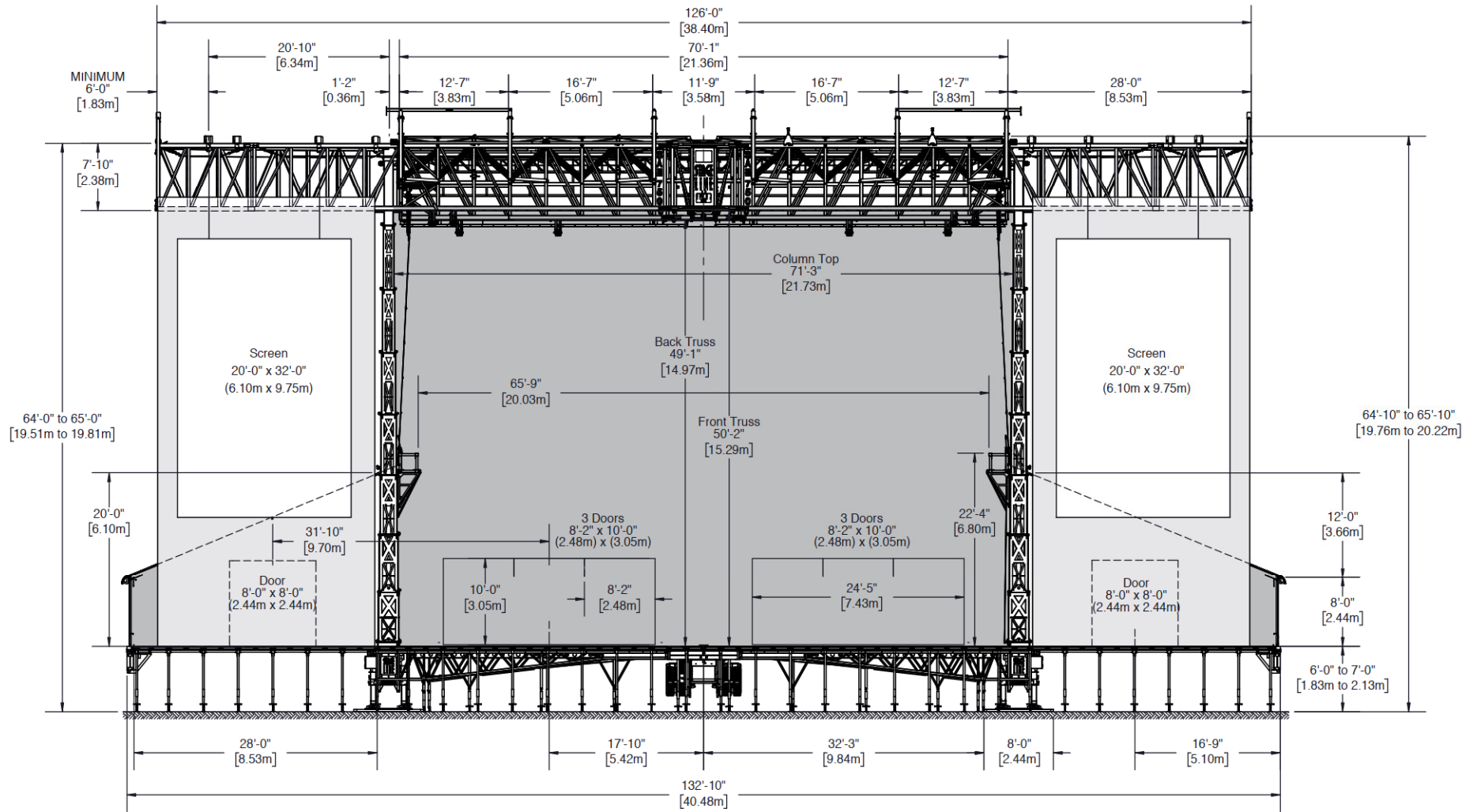
- Windwall
- Banner (For dimensions, please refer to Banner Book)

FRONT VIEW WITH COVERED WINGS & SCREEN SUPPORT

UNIT #

#750

SAM750



Windwall

Banner (For dimensions, please refer to Banner Book)



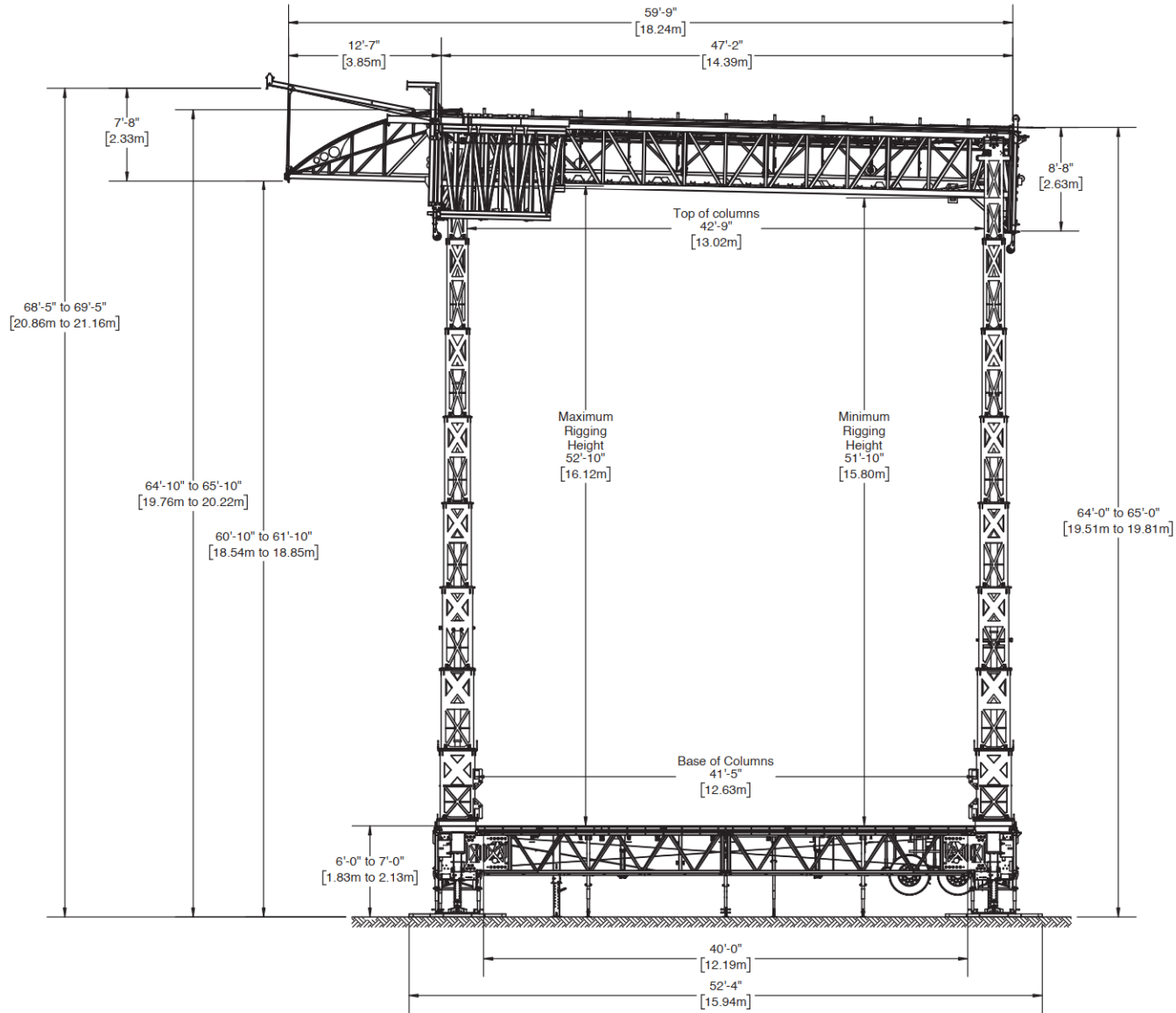
Drawings may show stage equipped with optional accessories. May be sold separately.
 © 2022 - All rights reserved, Stageline Mobile Stage Inc. Any and all forms of adaptation or reproduction of this document including the plans and drawings, in whole or in part, are strictly forbidden without the written authorisation of Stageline Mobile Stage Inc. Mass may vary depending on options.
 Technical specifications may change without notice. Stage specifications are subject to change without notice. Figures are nominal.

SIDE VIEW

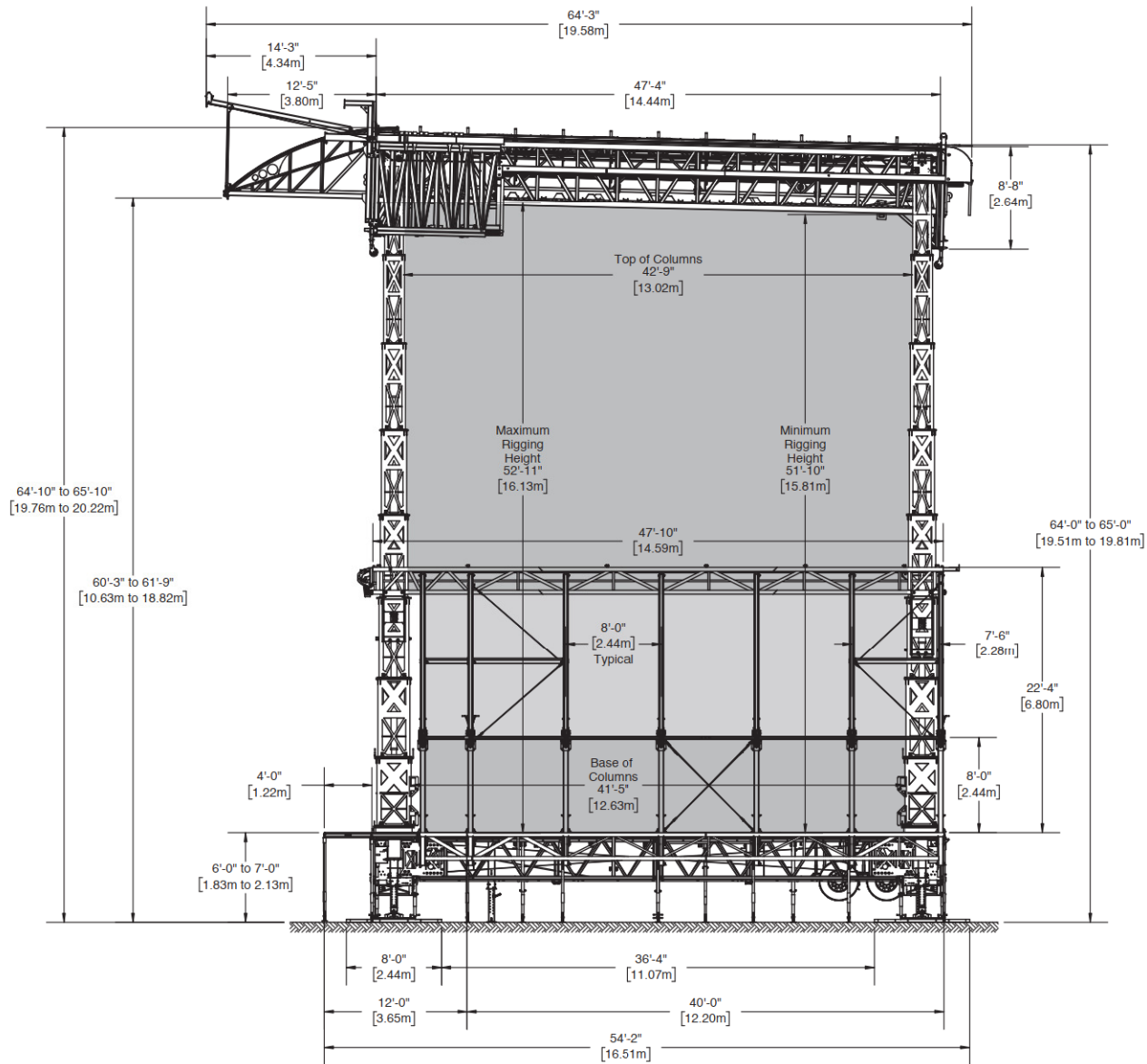
UNIT #

#750

SAM750

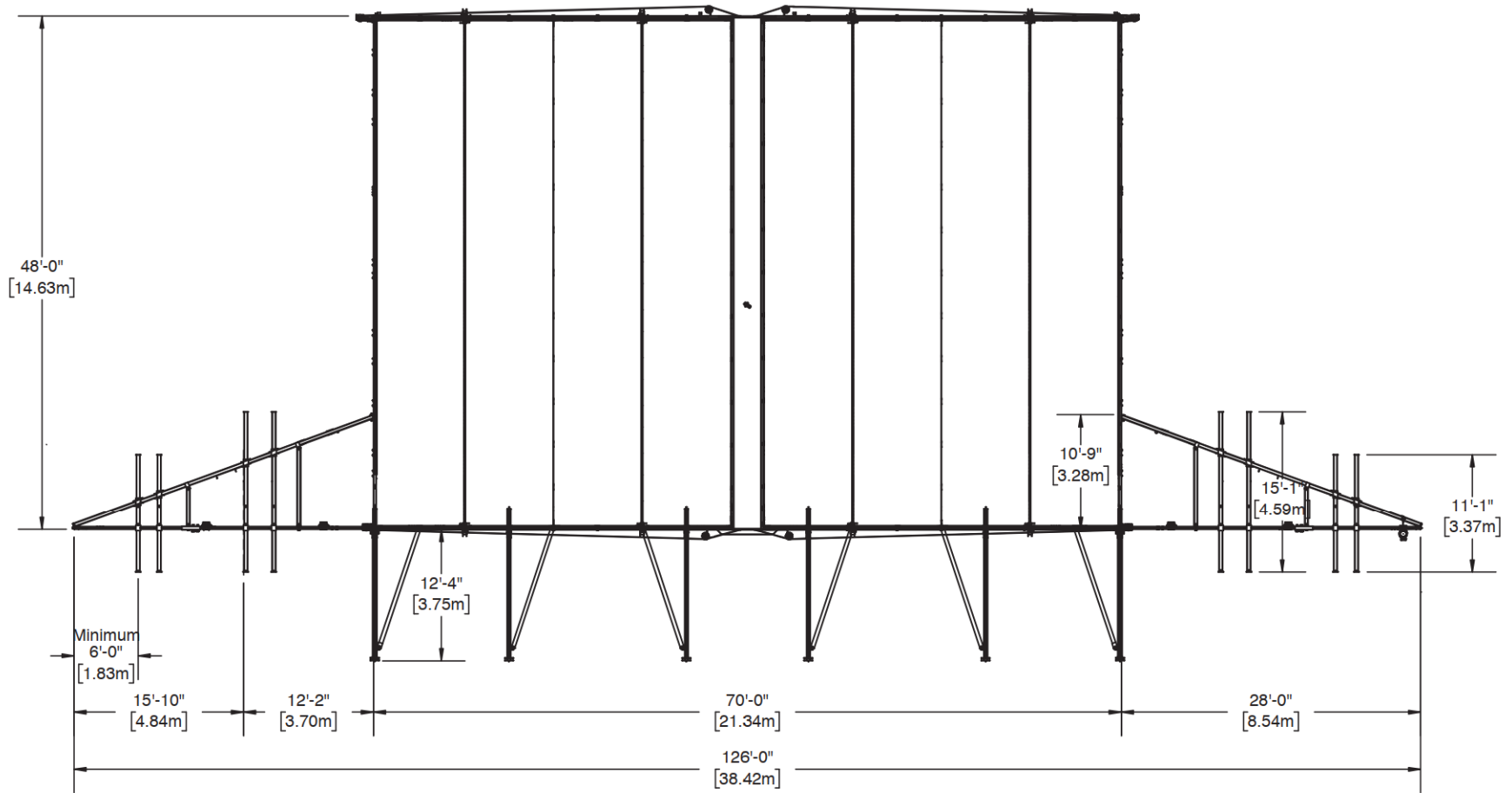


SIDE VIEW WITH COVERED WINGS



Windwall

ROOF VIEW

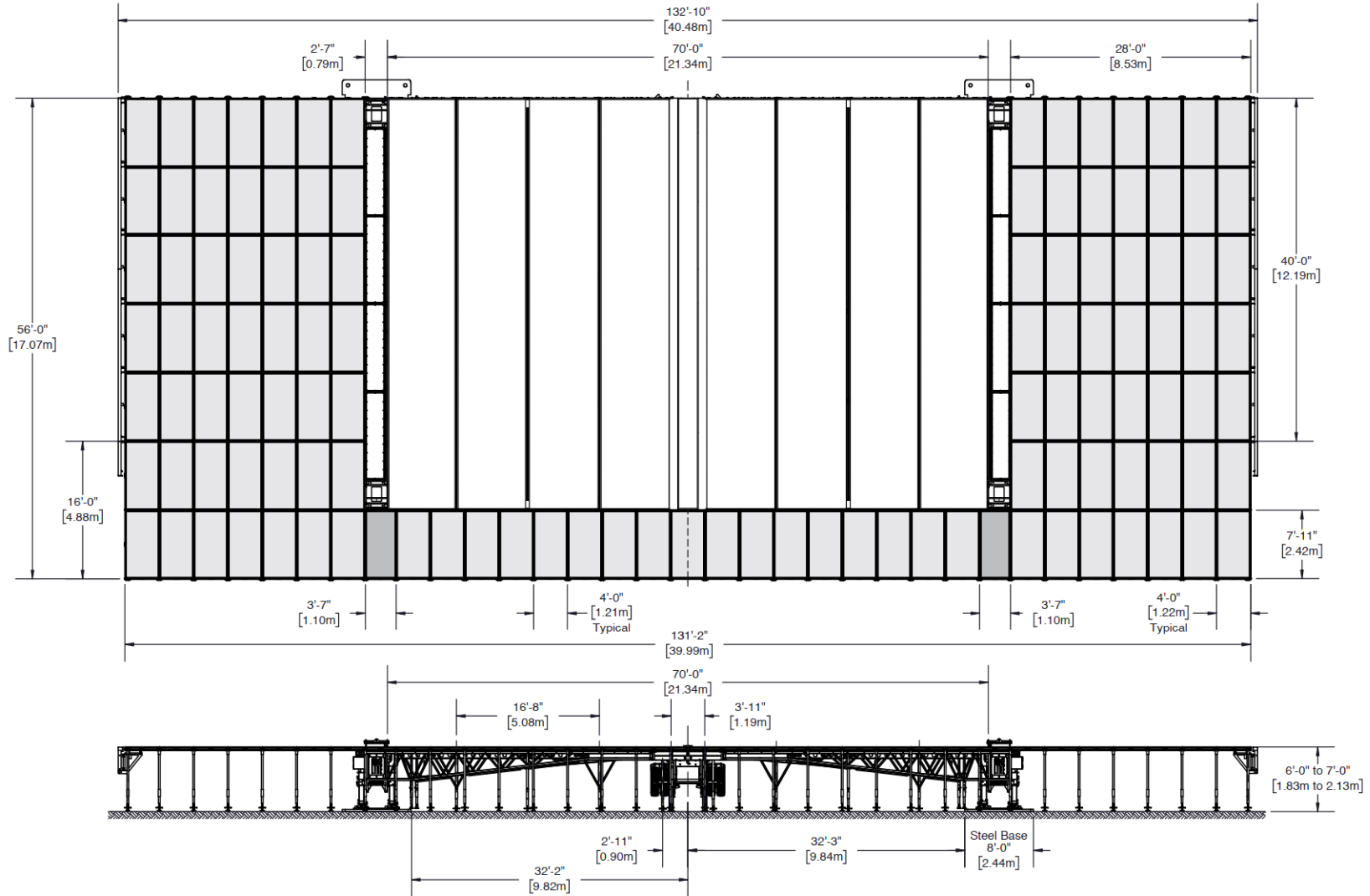


FLOOR VIEW WITH COVERED WINGS

UNIT #

#750

SAM750



x2 Platform 3'-7" x 8'-0" [1.10m x 2.44m]

x115 Platform 4'-0" x 8'-0" [1.22m x 2.44m]



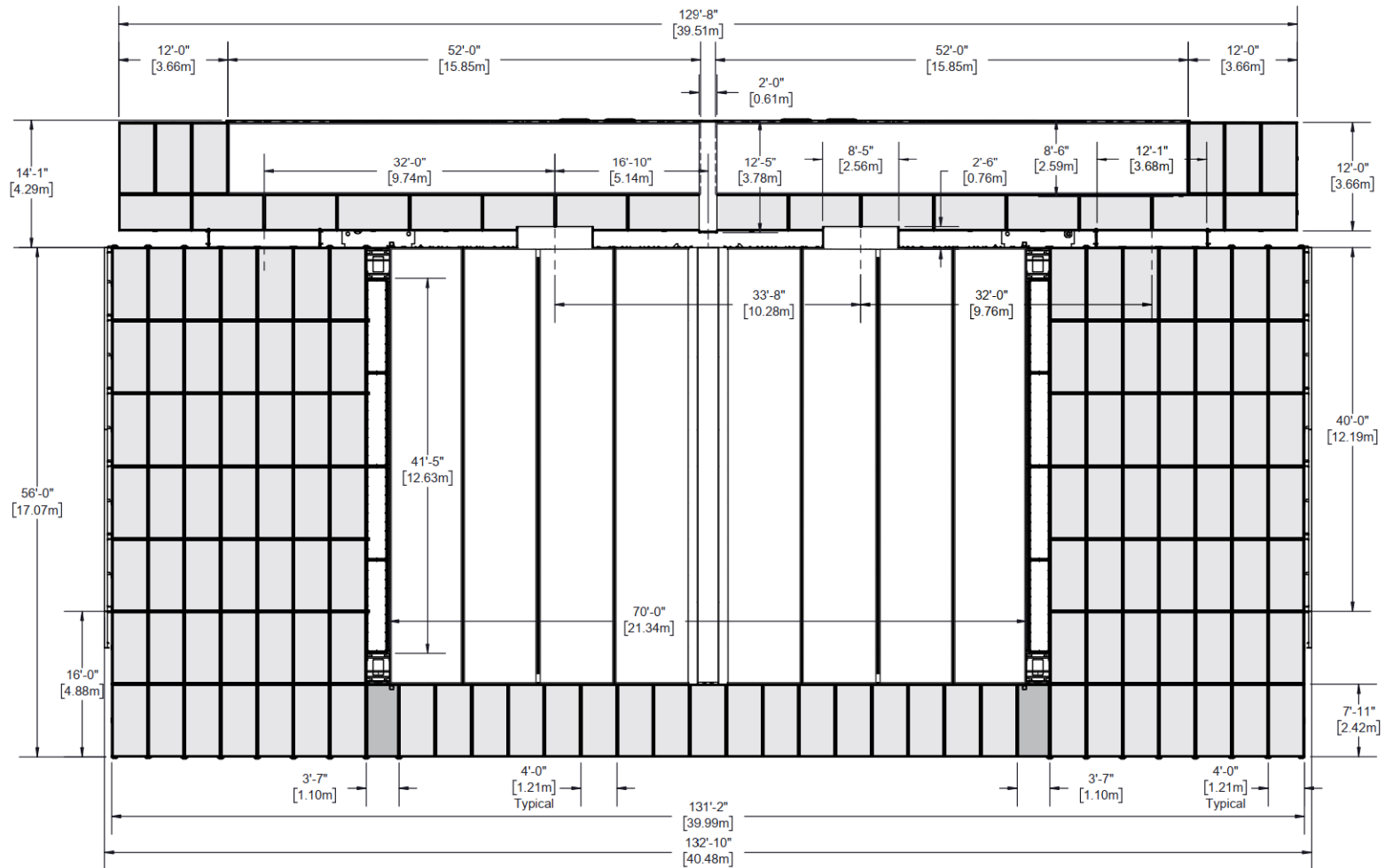
Drawings may show stage equipped with optional accessories. May be sold separately.
 © 2022 - All rights reserved, Stageline Mobile Stage Inc. Any and all forms of adaptation or reproduction of this document including the plans and drawings, in whole or in part, are strictly forbidden without the written authorisation of Stageline Mobile Stage Inc. Mass may vary depending on options.
 Technical specifications may change without notice. Stage specifications are subject to change without notice. Figures are nominal.

FLOOR VIEW WITH COVERED WINGS & LOADING DOCK

UNIT #

#750

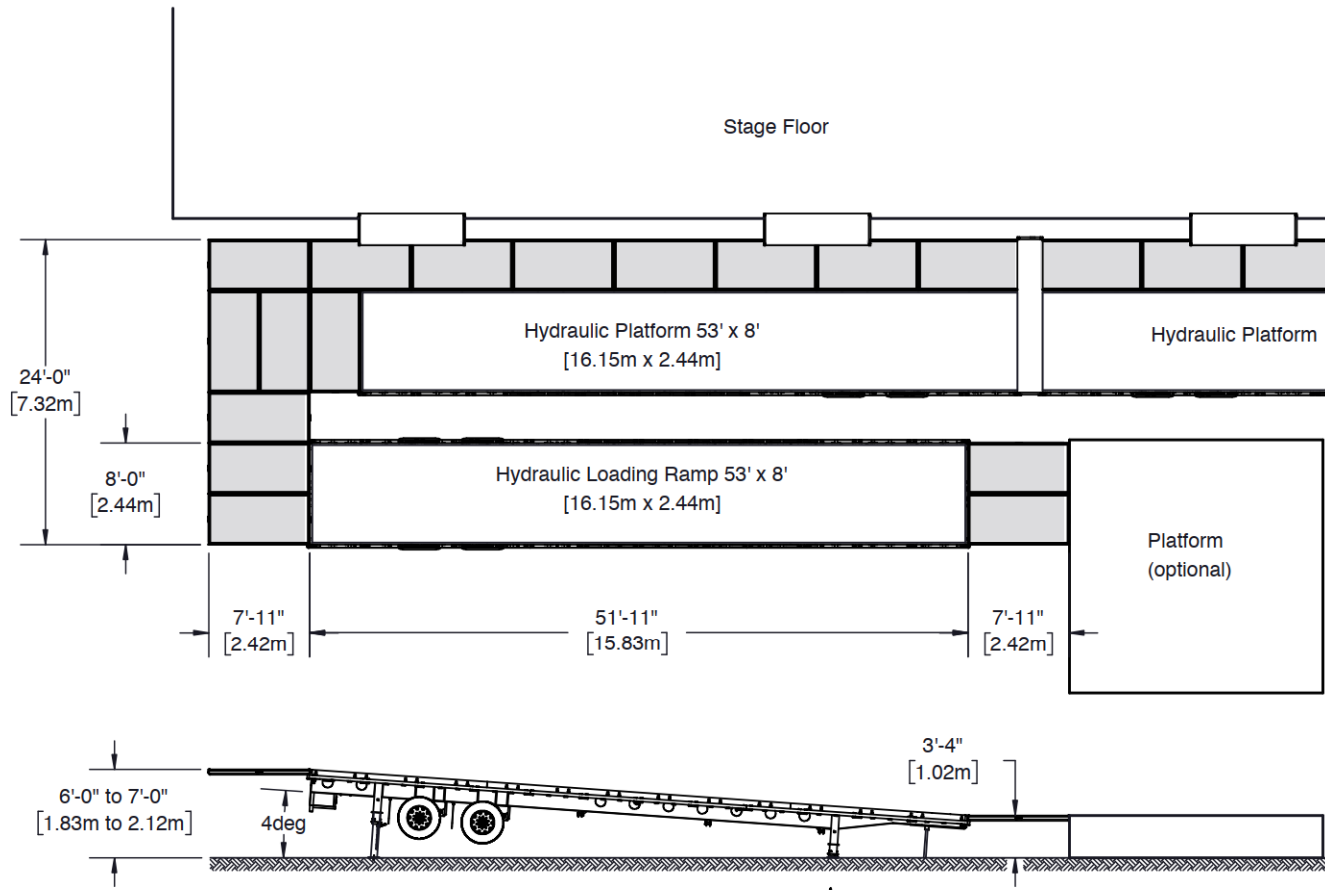
SAM750



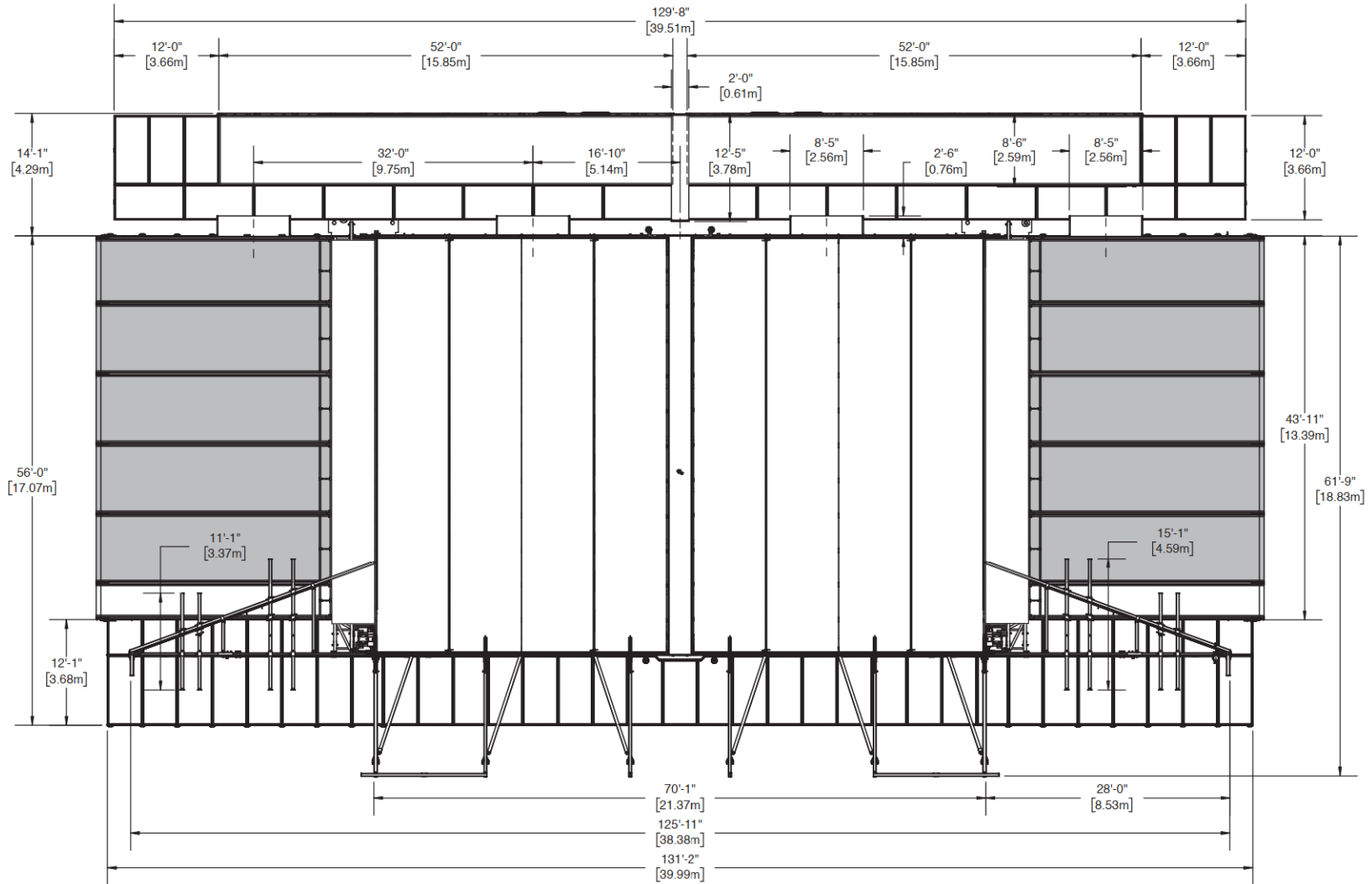
x2 Platform 3'-7"x 8'-0" [1.10m x 2.44m]

x137 Platform 4'-0"x 8'-0" [1.22m x 2.44m]

OPTIONAL LOADING DOCK & HYDRAULIC RAMP



Platform



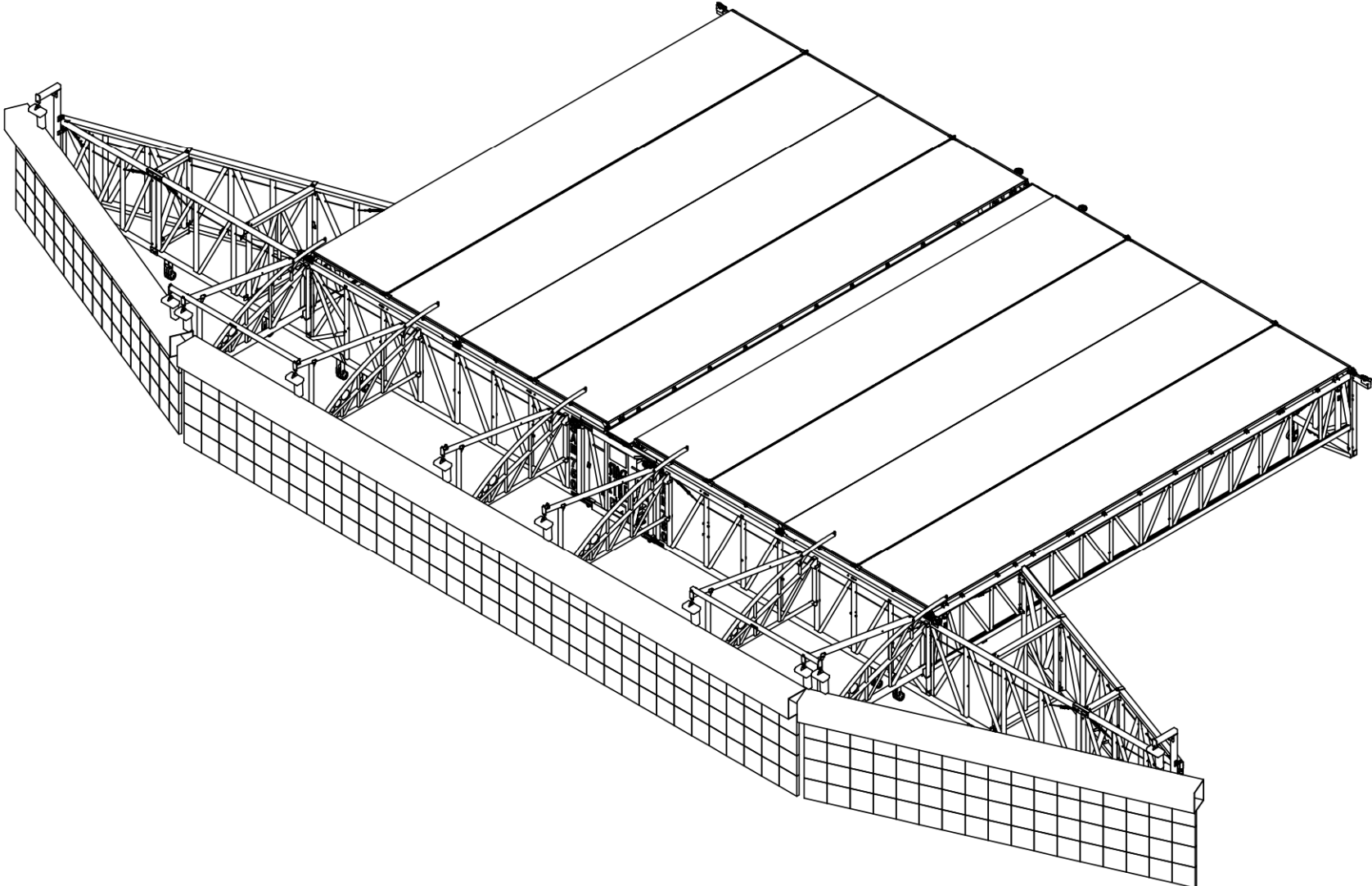
Windwall

ISO VIEW FOH SCREEN SUPPORT

UNIT #

#750

SAM750

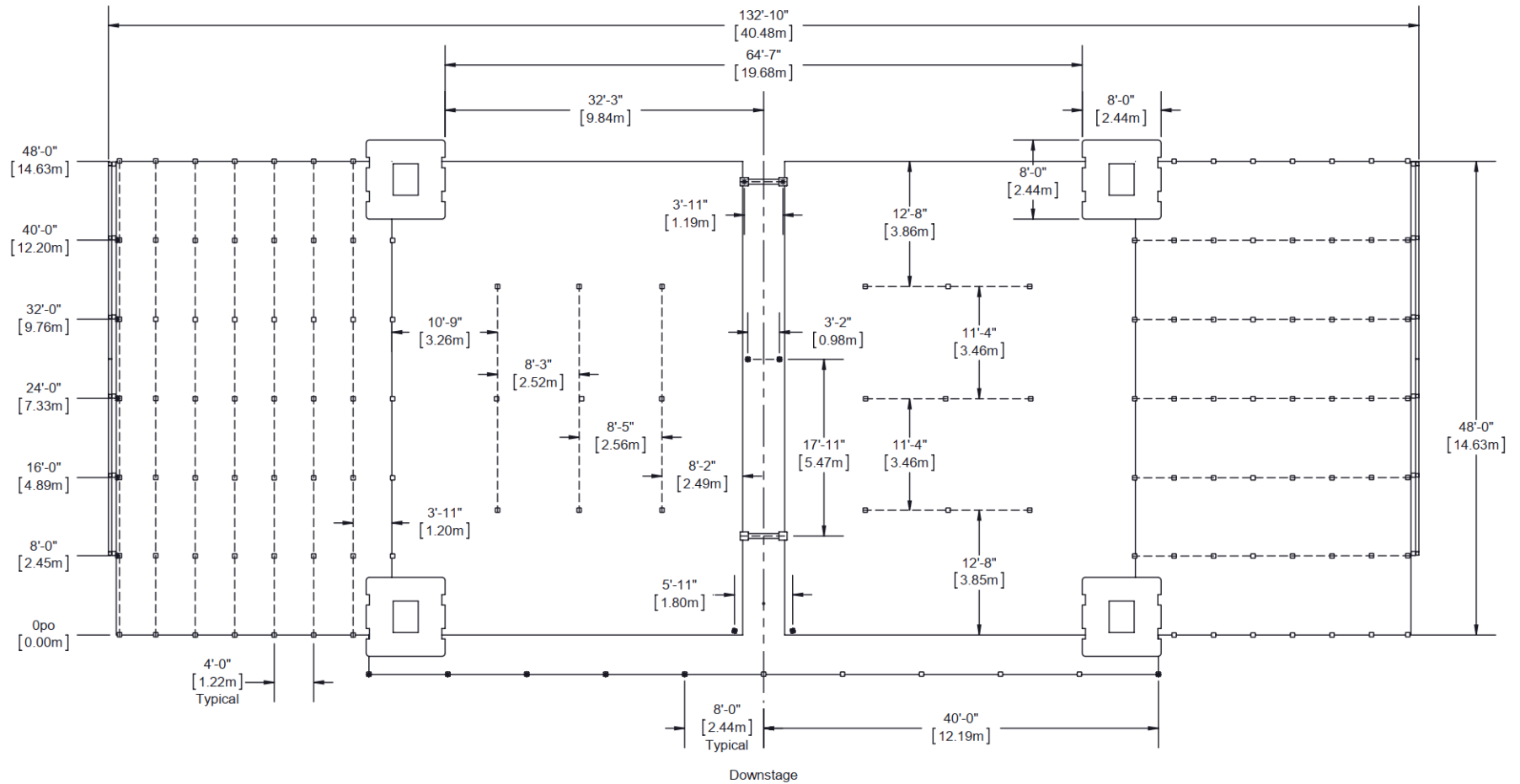


LEGS & STEEL PLATES LAYOUT

UNIT #

#750

SAM750



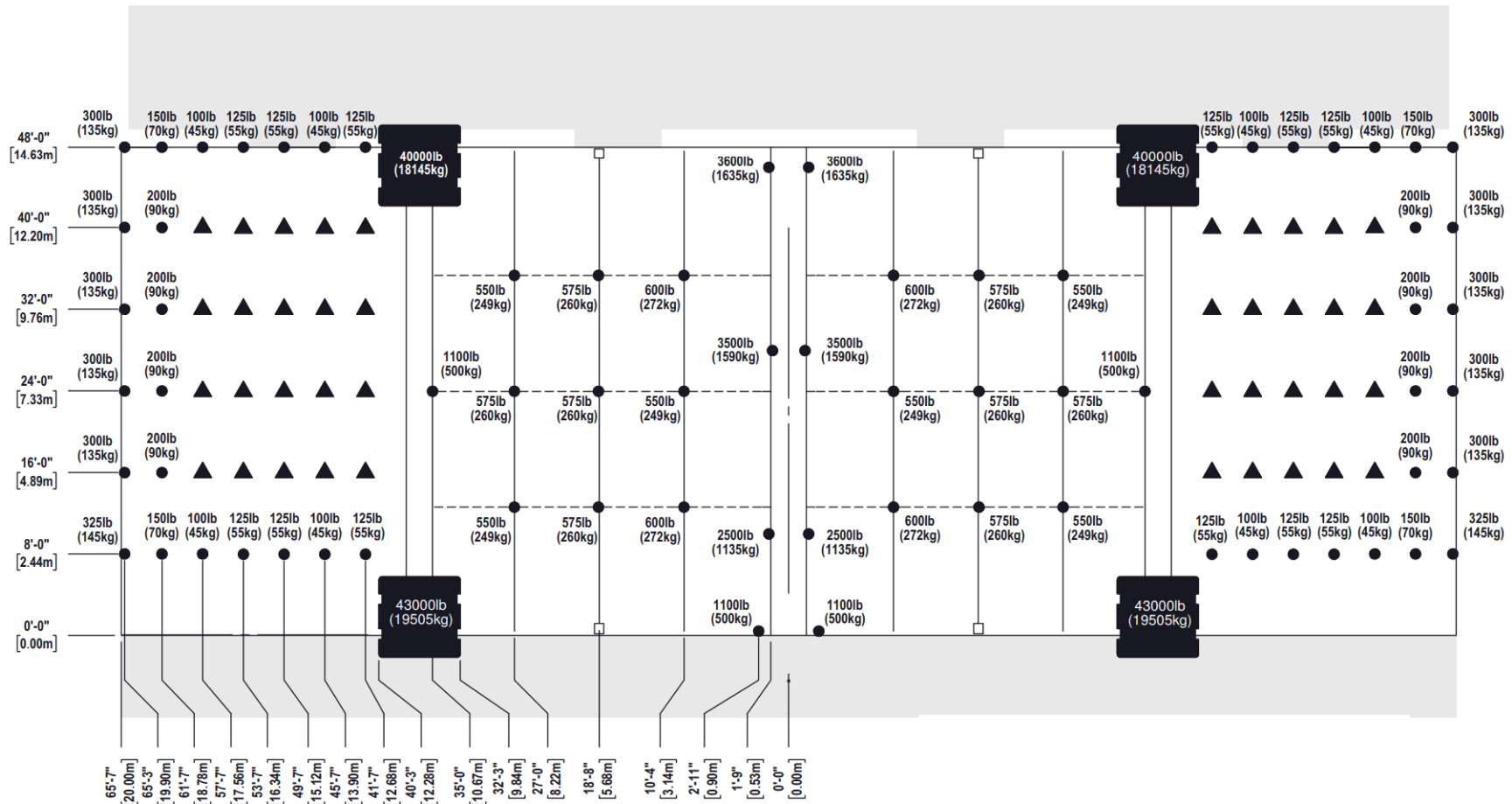
Capacity: 150lb/ft² (732kg/m²)

DEAD LOAD GROUND SUPPORT

UNIT #

#750

SAM750



▲ 225 lb (100 kg)

●▲ Floor stabilizers, extensions and levelling jacks

Note: For additional live load informations, please contact Stageline

A THOROUGH UNDERSTANDING OF THE INTER-RELATED LOADINGS SHOWN IN THIS RIGGING PLAN IS NEEDED IN ORDER TO SAFELY USE THIS MOBILE STAGE ROOF AND TAKE FULL ADVANTAGE OF THE MANY RIGGING OPPORTUNITIES IT OFFERS.

This mobile stage roof offers a variety of rigging options with regard to load capacity, placement and type.

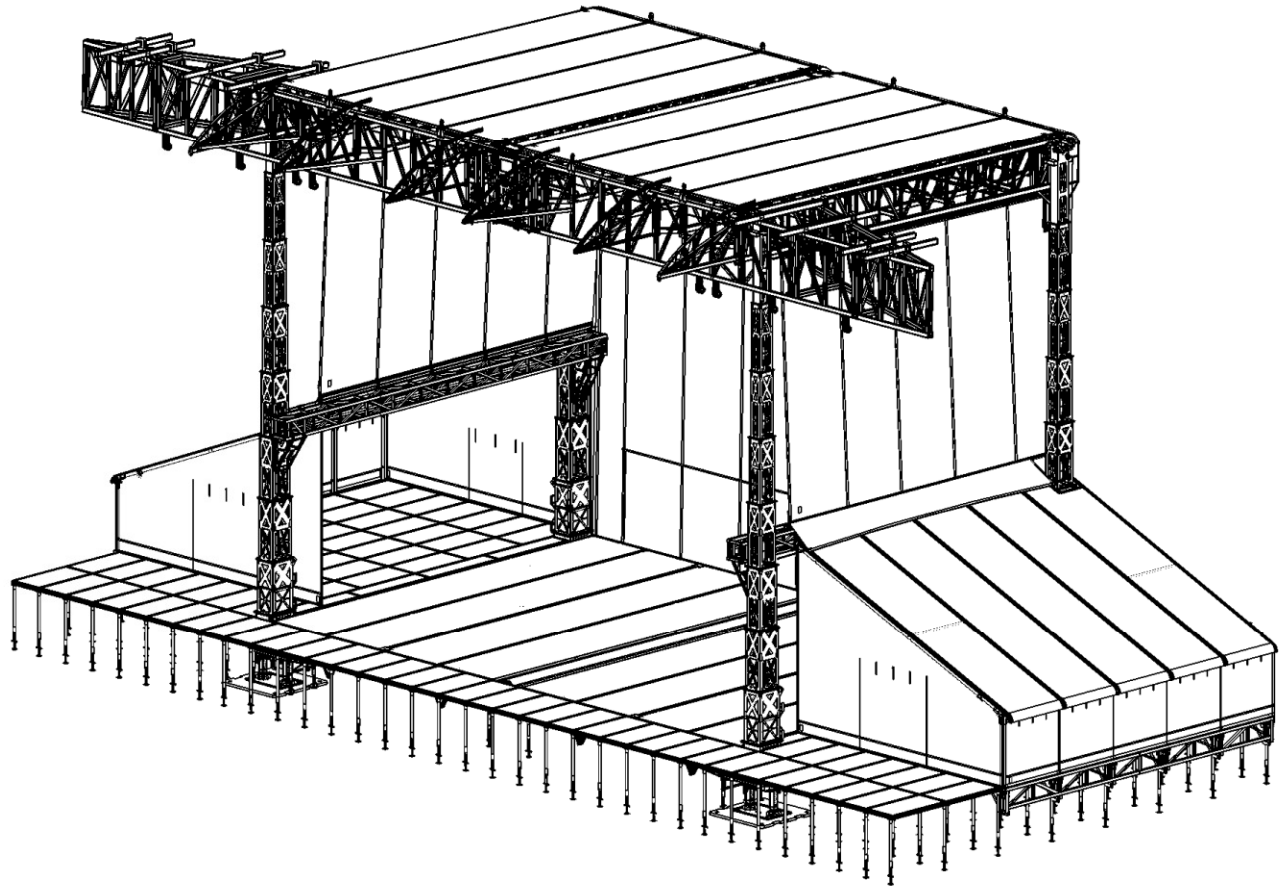
There are rigging pipes, trusses, roof rigging points and side overhang rigging beams.

This rigging plan locates and defines these rigging features, includes load capacity for each and describes maximum combinations of loads amongst features.

Take note of exclusions, maximum sub-totals in a group, load balance requirements, maximum lifting capacity of roof and maximum rigging load on roof.

The maximum load on the roof is less than the sum of the maximum load on each rigging feature.

Refer to Operator's Manual for procedures in regards to proper setup and setup methods of the stage and its options.



The information contained in the current document is final and must be considered as such. They are derived from design briefs and summarized to help the user plan rigging configurations safely. It is therefore mandatory that the user follows and respects the capabilities and limitations described herein. Overloading of stage components above their specified capacity may result in structural failure, equipment damage, injury or death. Stageline cannot be held responsible if the user, himself or subcontractors under his supervision, derogate from this document and/or the approved rigging plan. If a desired configuration cannot meet these requirements, the user must contact Stageline to analyse the case and obtain further instructions. Special restrictions and limitations may apply.

Certain authorities may require that a rig configuration plan, signed and sealed by a recognized member of a professional body, be available to allow the stage to be setup on their territory. This document was not intended to and cannot be used or considered as an official document or certificate to serve this purpose. Contact responsible authorities or Stageline for details.

RIGGING PLAN

2/4

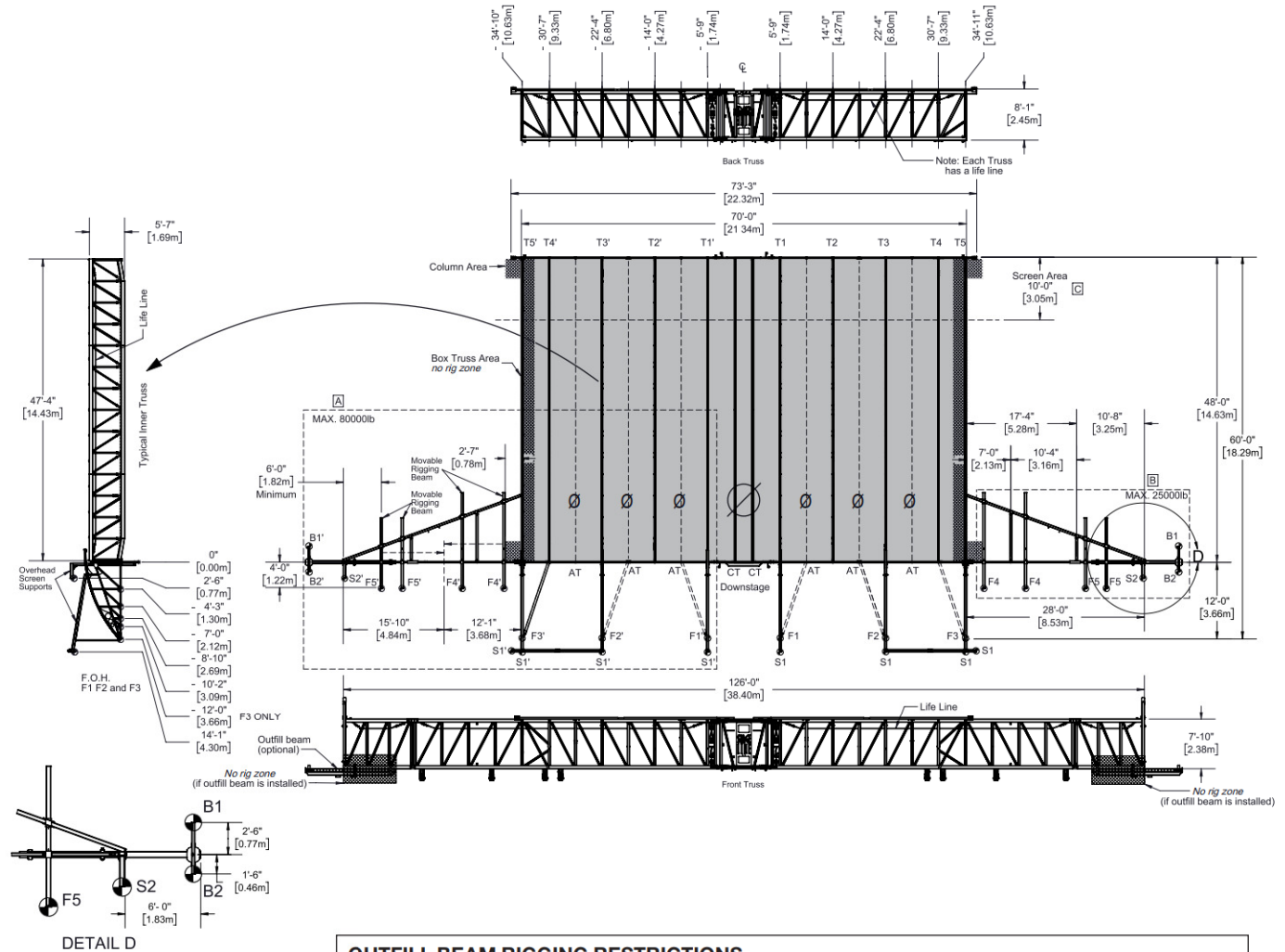
UNIT #

#750

SAM750

RIGGING RESTRICTIONS

- **MAXIMUM LOAD BEARING CAPACITY :**
152000 lb (68934 kg). Telescopic columns must be pinned and secured.
- Do not rig on CT (central trusses) and AT (aluminum trusses).
- Rigging on all T trusses can be done anywhere on bottom chord. Keep at least 4' (1.20m) between two rigging points on the same truss.
- Trusses T1 to T5 and T1' to T5' have a maximum rigging capacity of 12000 lb (5450kg) each. This capacity must take into account loads on adjoining F truss.
- Within zone C, each T truss has an additional 3750 lb (1700kg) rigging capacity in addition to the 12000 lb limitation mentioned above.
- All rigging points (except F1, F1', F3 and F3') and movable beams must not exceed 4400 lb (2000kg) each.
- Rigging capacity of front and back trusses must take into account loads on each trusses.
- Rigging on all F trusses must be done in panel-points only.
- Maximum allowable load for F1 and F1' is 2200 lb (1000kg) each.
- Maximum allowable load for F2 and F2' is 4400 lb (2000kg) each.
- Maximum allowable load for F3 and F3' is 8800 lb (4000kg) each.
- Maximum allowable load for each S1, S1', S2 and S2' is 2200 lb (1000 kg).
- Loads on F1 to F3 points must take into consideration loads on S1 points.
- Maximum allowable load for all Ts + Fs is 72000 lb (32700kg). This does not include allowable screen weight within zone C.
- Maximum allowable load for area A is 80000 lb (36360kg) per side.
- Maximum allowable load for area B is 25000 lb (11360kg) per side.
- Maximum allowable load for area C is 30000 lb (13605kg).
- Maximum allowable load for each F4 and F5 is 4400 lb (2000 kg).
- Total load on F5s and S2s must not exceed 4400 lb (2000 kg) per side.
- Total load on F4s, F5s and S2s must not exceed 8800 lb (4000 kg) per side.



OUTFILL BEAM RIGGING RESTRICTIONS

When the outfill beams is installed :

- Do not hang any loads under the outfill beams (refer to no rig zones on drawing).
- Outfill line array beam must be positioned as shown on drawing, the longest overhang section to the back.

Outfill beam capacity :

- Maximum rigging load : 4400 lb
- Max load on point B1 : 1900 lb
- Max load on point B2 : 2500 lb*

*Capacity can be increased only when lifting.

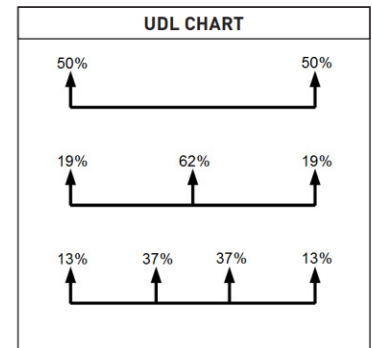
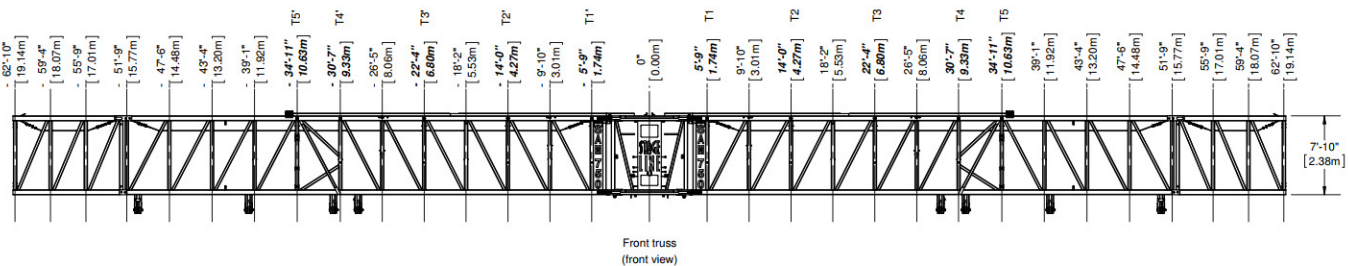
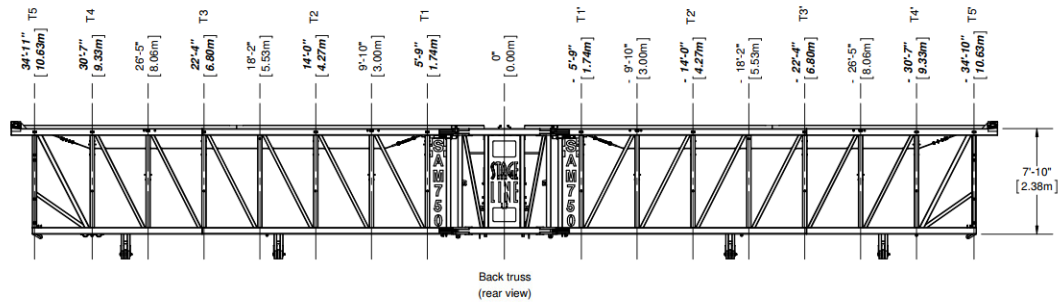
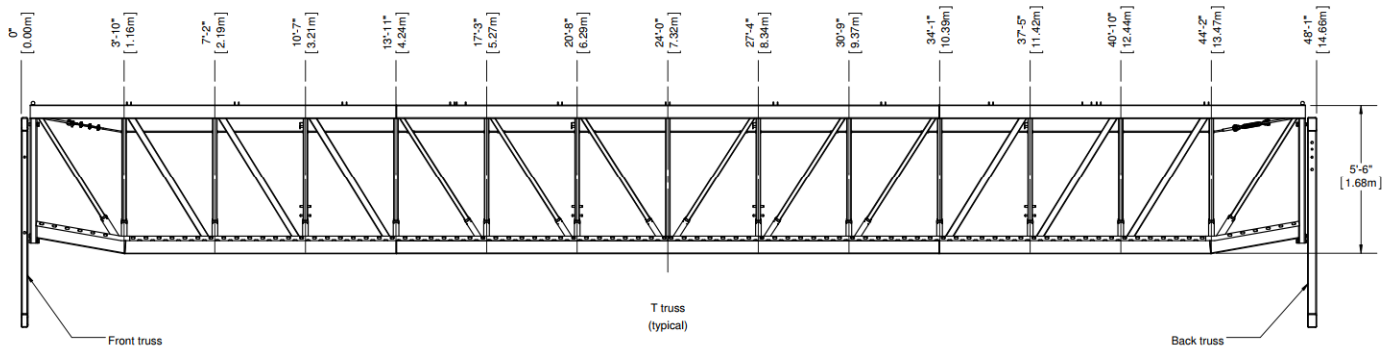
RIGGING PLAN

3/4

UNIT #

#750

SAM750



** Valid for symmetric loads only. In other cases, contact Stageline for assistance.

RIGGING PLAN

4/4

UNIT #

#750

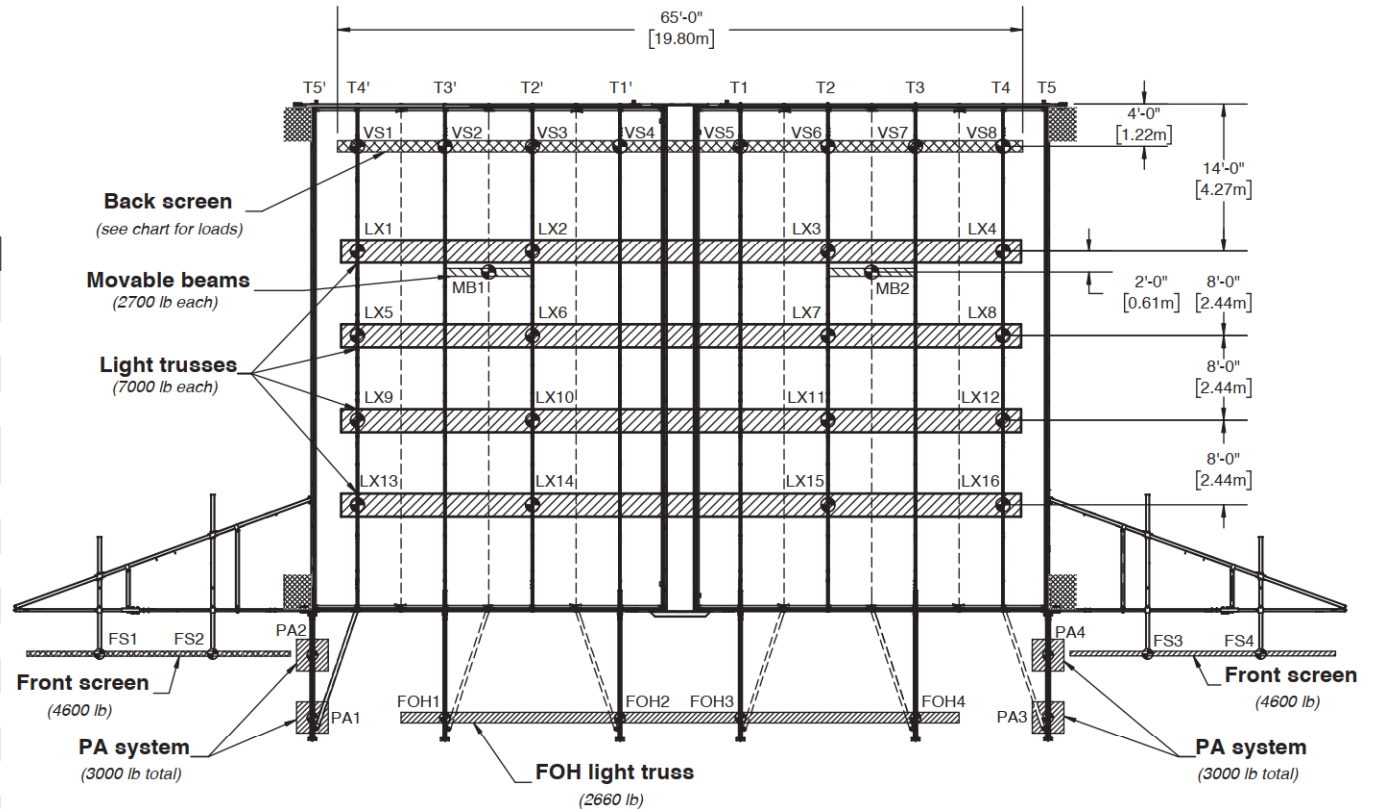
SAM750

When calculating the loads on A SAM750, use following method:

- Calculate all the loads applied to each point.
- Verify the applicable limitations for each points.
- Verify the applicable limitations for each truss

LOAD CHART *

Point	Load calculation	Load at point (lb)
FOH1	0.13 (13%, see UDL) x 2660	346
FOH2, FOH3	0.37 (37%, see UDL) x 2660	984
FOH4	0.13 (13%, see UDL) x 2660	346
FS1, FS2, FS3, FS4	0.5 (50%, see UDL) x 4600	2300
LX1,	0.13 (13%, see UDL) x 7000	910
LX2, LX3	0.37 (37%, see UDL) x 7000	2590
LX4, LX5	0.13 (13%, see UDL) x 7000	910
LX6, LX7	0.37 (37%, see UDL) x 7000	2590
LX8, LX9	0.13 (13%, see UDL) x 7000	910
LX10, LX11	0.37 (37%, see UDL) x 7000	2590
LX12, LX13	0.13 (13%, see UDL) x 7000	910
LX14, LX15	0.37 (37%, see UDL) x 7000	2590
LX16	0.13 (13%, see UDL) x 7000	910
MB1, MB2	2700	2700
PA1, PA2, PA3, PA4	0.5 (50%, see UDL) x 3000	1500
VS1, VS2, VS3	2381	2381
VS4, VS5	2615	2615
VS6, VS7, VS8	2381	2381



POINT LOAD VERIFICATION

Backscreen: VS1 to VS8 < 3750 per truss in area C

PA systems: PA1 + PA2 < 8800
PA3 + PA4 < 8800

FOH light truss: FOH1 and FOH4 < 4400 per F2
FOH2 and FOH3 < 2200 per F1

Front screen: FS1 and FS4 < 4400 per F5
FS2 and FS3 < 4400 per F4

Movable beams: Loads transferred from MB1 on T2 added to LT2 = 3940 < 4400 (allowable load within 4' area on truss)

TRUSS VERIFICATION

T5 (PA1 + PA2) / 12000 = 0.25 or 25%

T4 (LX1 + LX5 + LX9 + LX13) / 12000 = 0.30 or 30%

T3 ((0.5 x MB1) + FOH1)) / 12000 = 0.14 or 14%

T2 ((LX2 + LX6 + LX10 + LX14) + (0.5 x MB1)) / 12000 = 0.97 or 97%

T1 FOH2 / 12000 = 0.08 or 8%

So this rigging plot does not overload the roof and is considered acceptable.

* Refer to rigging plot

827 L'Ange-Gardien Blvd., L'Assomption
Quebec, Canada J5W 1T3
1 450.589.1063 / North America 1 800.267.8243
stageline.com

MOBILE STAGES | SALES & RENTALS

