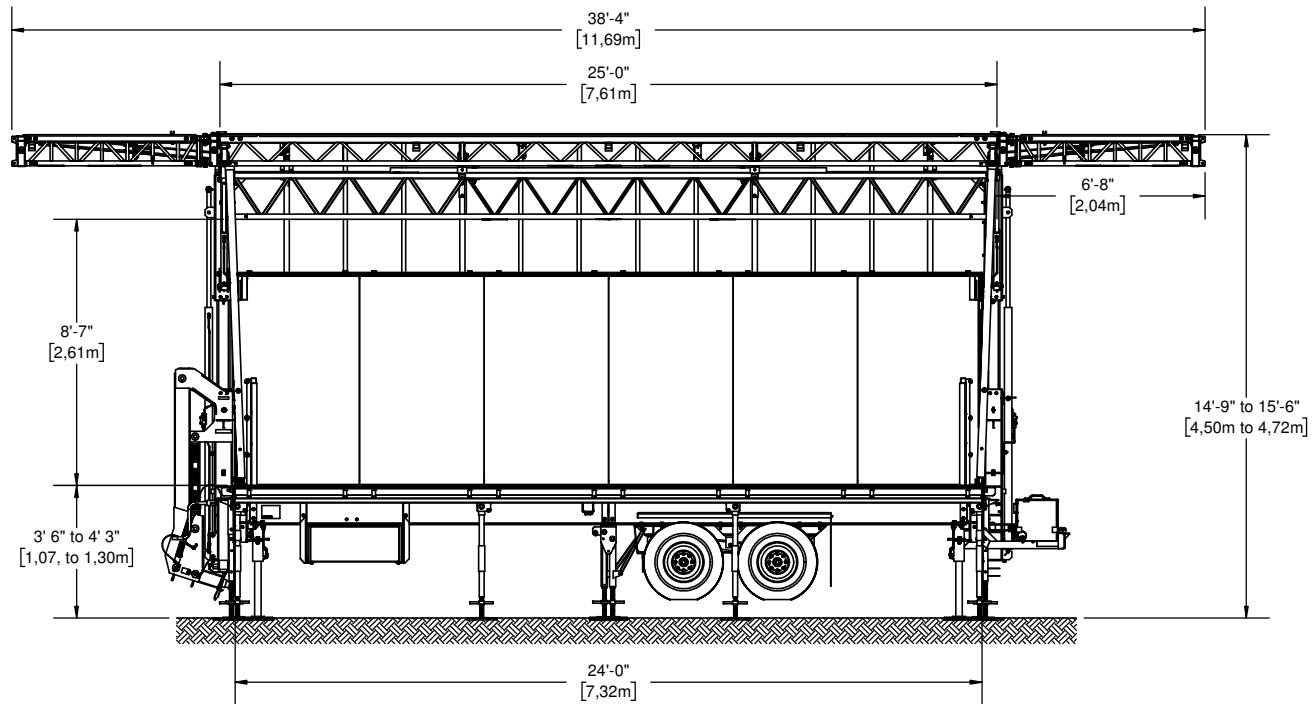




RENTAL DIVISION - DIVISION LOCATION

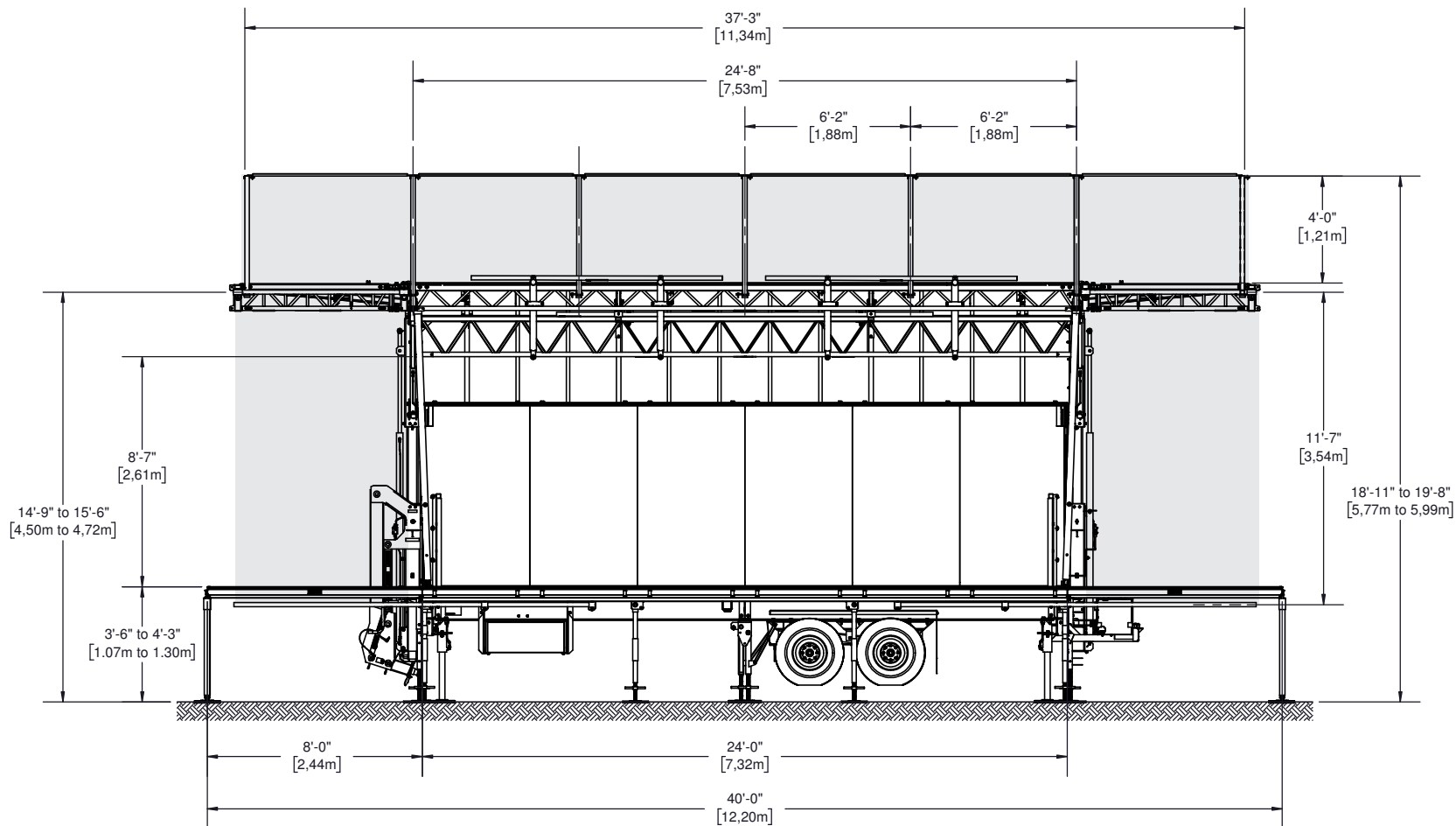
SL100 BANDSHELL TECHNICAL DRAWINGS 2020



Bandshell stage must not be left unattended refer to REQUIREMENTS FOR UNATTENDED STAGE page.

Drawings may show stage equipped with optional accessories. May be sold separately.

© 2020 - All rights reserved, Stageline Mobile Stage Inc. Any and all forms of adaptation or reproduction of this document including the plans and drawings, in whole or in part, are strictly forbidden without the written authorisation of Stageline Mobile Stage Inc. Mass may vary depending on options. Technical specifications may change without notice. Stage specifications are subject to change without notice. Figures are nominal.

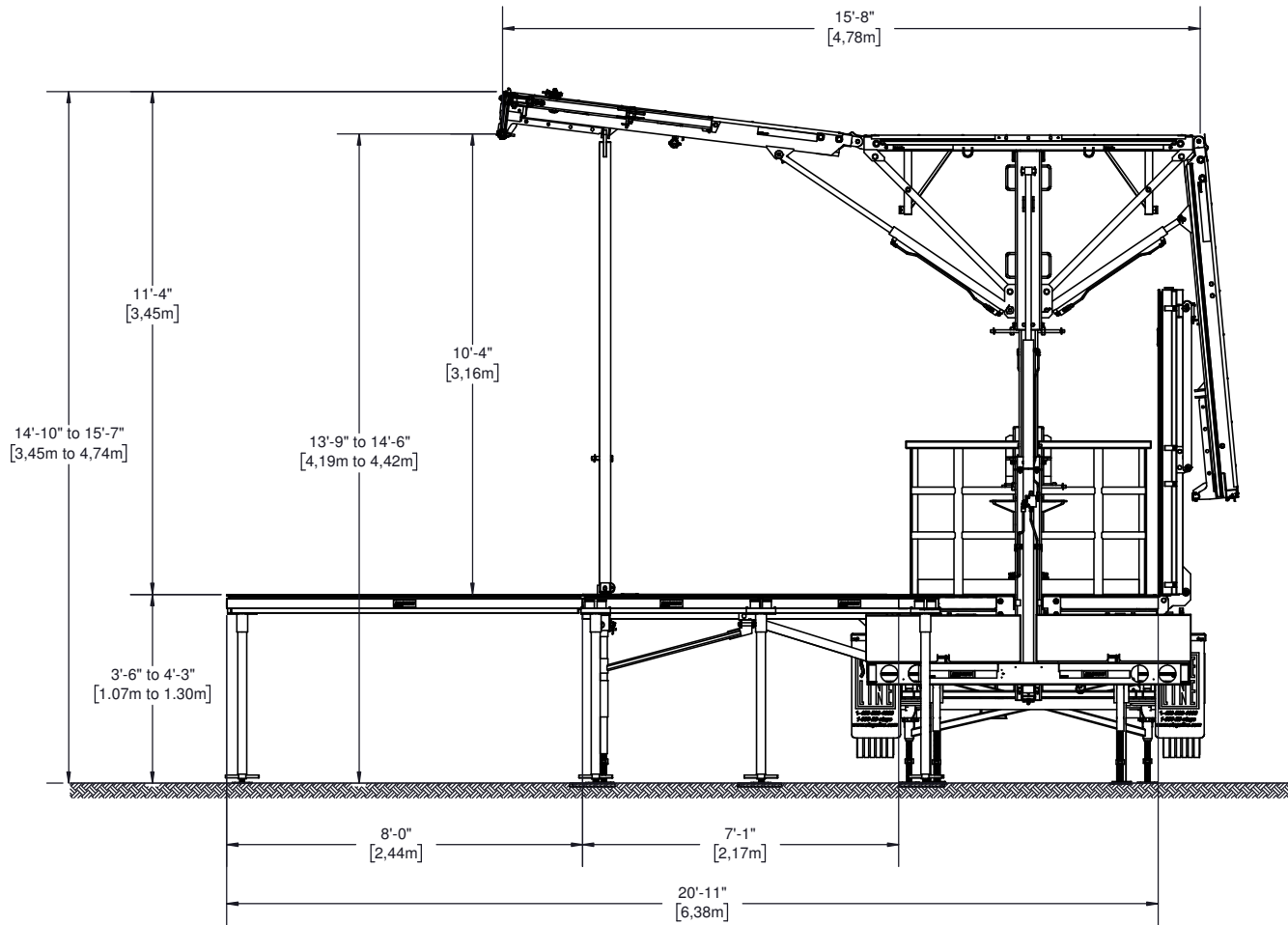


BANNERS (For dimensions, please refer to Banner Book)

Bandshell stage must not be left unattended refer to REQUIREMENTS FOR UNATTENDED STAGE page.

Drawings may show stage equipped with optional accessories. May be sold separately.

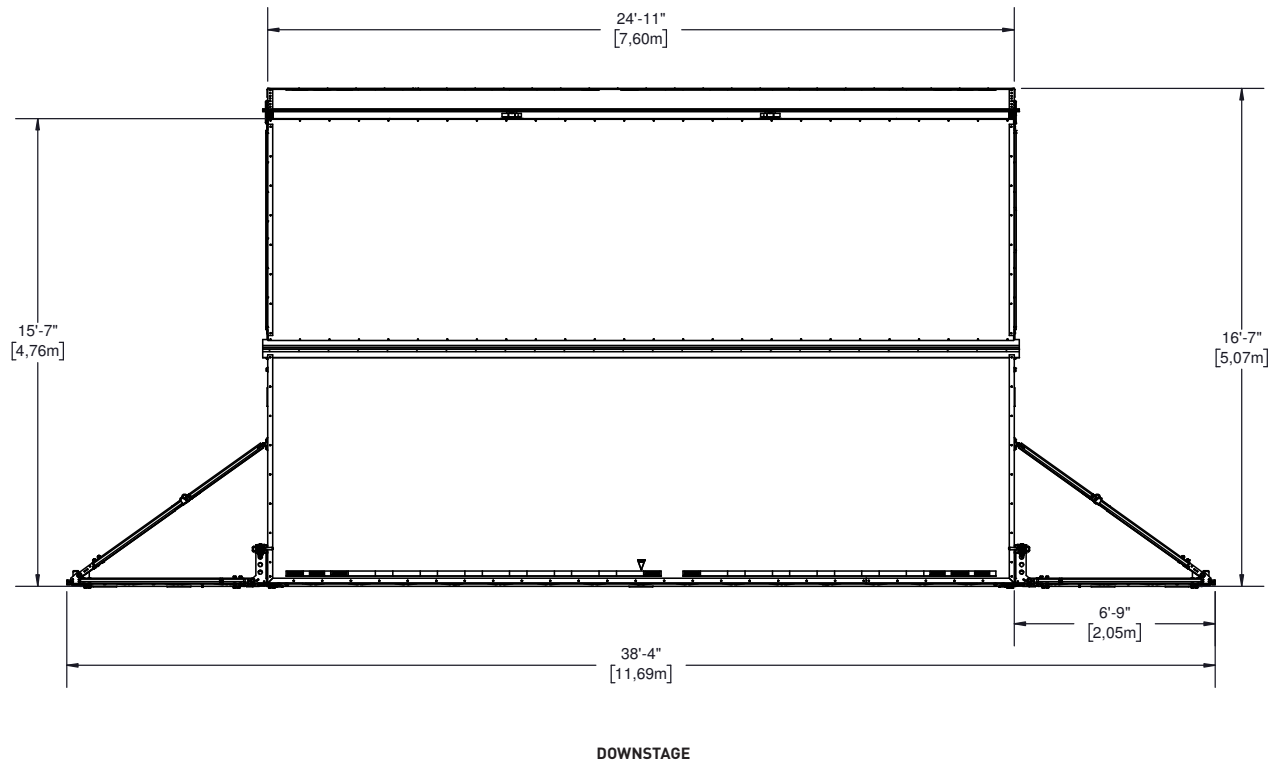
© 2020 - All rights reserved, Stageline Mobile Stage Inc. Any and all forms of adaptation or reproduction of this document including the plans and drawings, in whole or in part, are strictly forbidden without the written authorisation of Stageline Mobile Stage Inc. Mass may vary depending on options. Technical specifications may change without notice. Stage specifications are subject to change without notice. Figures are nominal.



Bandshell stage must not be left unattended refer to REQUIREMENTS FOR UNATTENDED STAGE page.

Drawings may show stage equipped with optional accessories. May be sold separately.

© 2020 - All rights reserved, Stageline Mobile Stage Inc. Any and all forms of adaptation or reproduction of this document including the plans and drawings, in whole or in part, are strictly forbidden without the written authorisation of Stageline Mobile Stage Inc. Mass may vary depending on options. Technical specifications may change without notice. Stage specifications are subject to change without notice. Figures are nominal.



Bandshell stage must not be left unattended refer to REQUIREMENTS FOR UNATTENDED STAGE page.

Drawings may show stage equipped with optional accessories. May be sold separately.

© 2020 - All rights reserved, Stageline Mobile Stage Inc. Any and all forms of adaptation or reproduction of this document including the plans and drawings, in whole or in part, are strictly forbidden without the written authorisation of Stageline Mobile Stage Inc. Mass may vary depending on options. Technical specifications may change without notice. Stage specifications are subject to change without notice. Figures are nominal.

BANDSHELL CONFIGURATION REQUIREMENTS

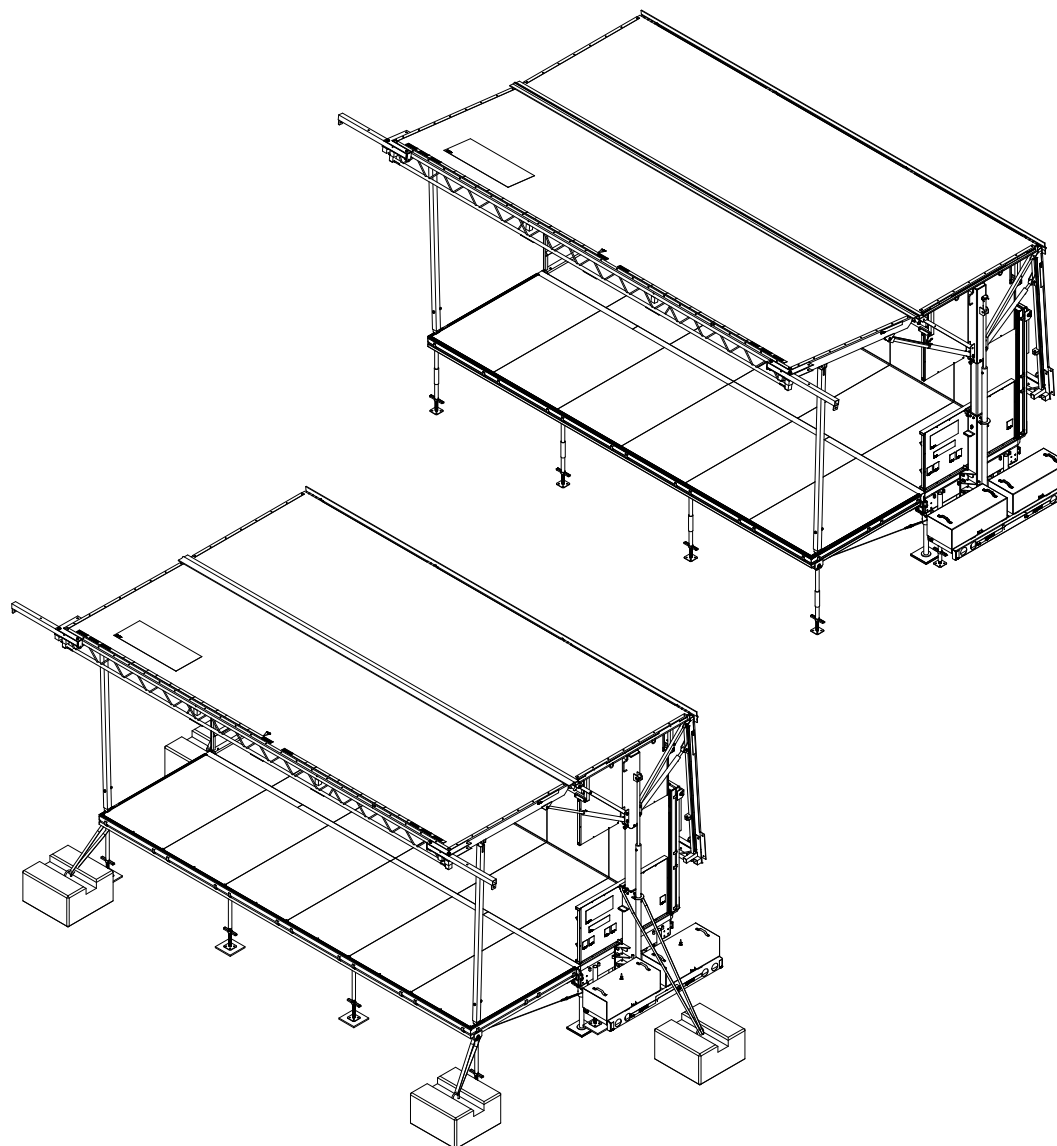
The purpose of this procedure is to issue the requirements surrounding the use of the SL100 in the bandshell configuration as well as a guideline for the positioning and installation of ballast weights, should high speed winds be forecasted. If clarifications are required, please do not hesitate to contact Stageline for assistance.

CERTIFIED TECHNICIAN PRESENT AT ALL TIMES

- Wind resistance for the stage in bandshell configuration is 50 mph (80 km/h). This resistance can be raised to 115 mph (185 km/h) when ballast weights are installed as described in this procedure.
- A certified technician must remain on site at all times while the stage is setup and used in the bandshell configuration. Should the technician be required to leave the site for an extended period of time and no other replacement is available, the stage needs to be closed or the ballast weights must be installed as described in this procedure.

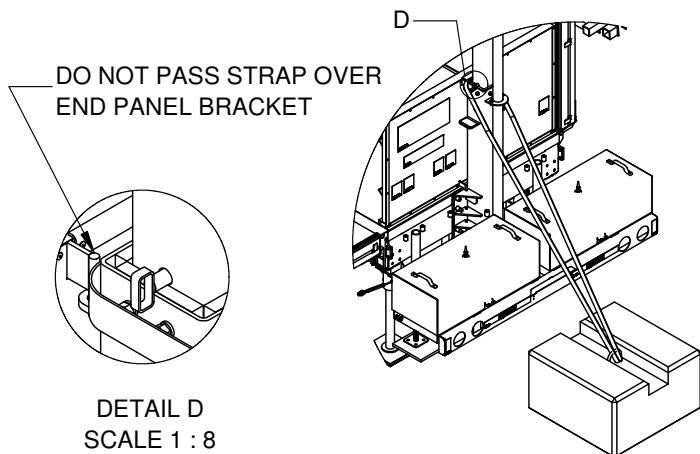
LEAVING THE STAGE UNATTENDED

- There are multiple types of ballast weights available that can be added to your stage in order to safely use it in a bandshell configuration. Stageline recommends concrete blocks with anchors at the top, but it is possible to use another type as long as they respect the weight and positioning shown in drawing INSTALLATION OF BALLASTS at the end of this document.
- Make sure that you do not pass the tiedowns over the brackets holding the end panels to the telescopic columns. Serious damage to the end panels could occur.
- Use tiedowns with an equivalent or higher working load limit than the weight of the ballasts to ensure that they will not break when under load.
- Do not use tiedowns with hooks at each end.
- Refer to drawing INSTALLATION OF BALLASTS for details on where to locate the ballast weights around the stage as well as required weight for each location.

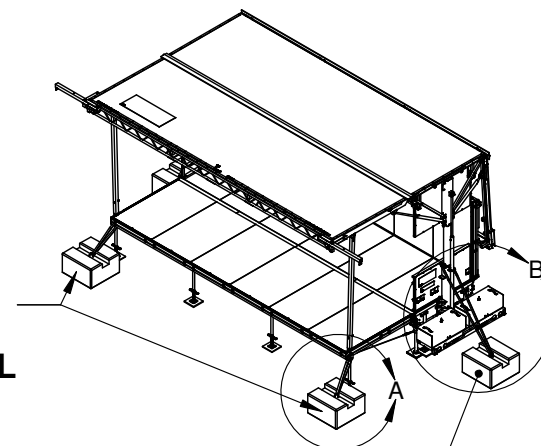


Drawings may show stage equipped with optional accessories. May be sold separately.

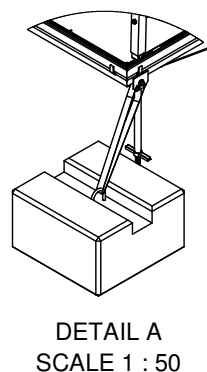
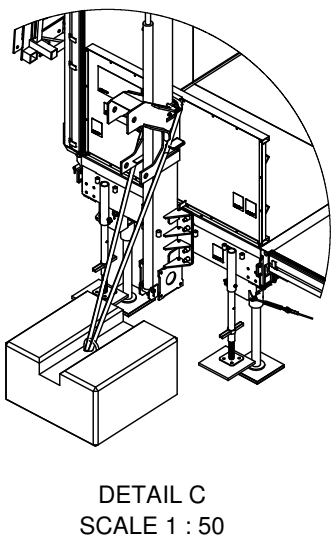
© 2020 - All rights reserved, Stageline Mobile Stage Inc. Any and all forms of adaptation or reproduction of this document including the plans and drawings, in whole or in part, are strictly forbidden without the written authorisation of Stageline Mobile Stage Inc. Mass may vary depending on options. Technical specifications may change without notice. Stage specifications are subject to change without notice. Figures are nominal.



**ADD WEIGHT AS SHOWN
MIN 2200 LB (1000 KG) EACH;
USE TIEDOWNS WITH
EQUIVALENT OR HIGHER WLL**



**ADD WEIGHT AS SHOWN
MIN 3300 LB (1500 KG);
USE TIEDOWNS WITH
EQUIVALENT OR HIGHER WLL**



**ADD WEIGHT AS SHOWN
MIN 3300 LB (1500 KG);
USE TIEDOWNS WITH
EQUIVALENT OR HIGHER WLL**

