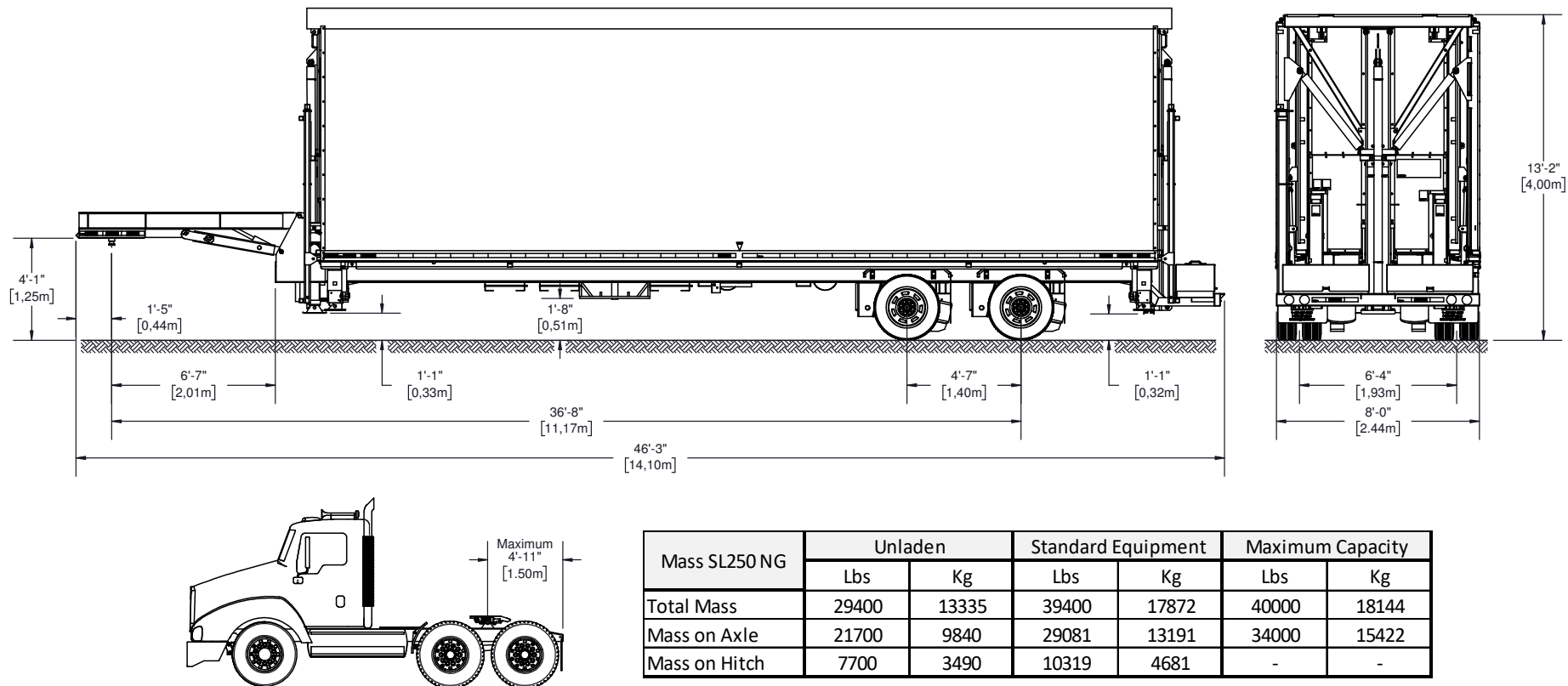




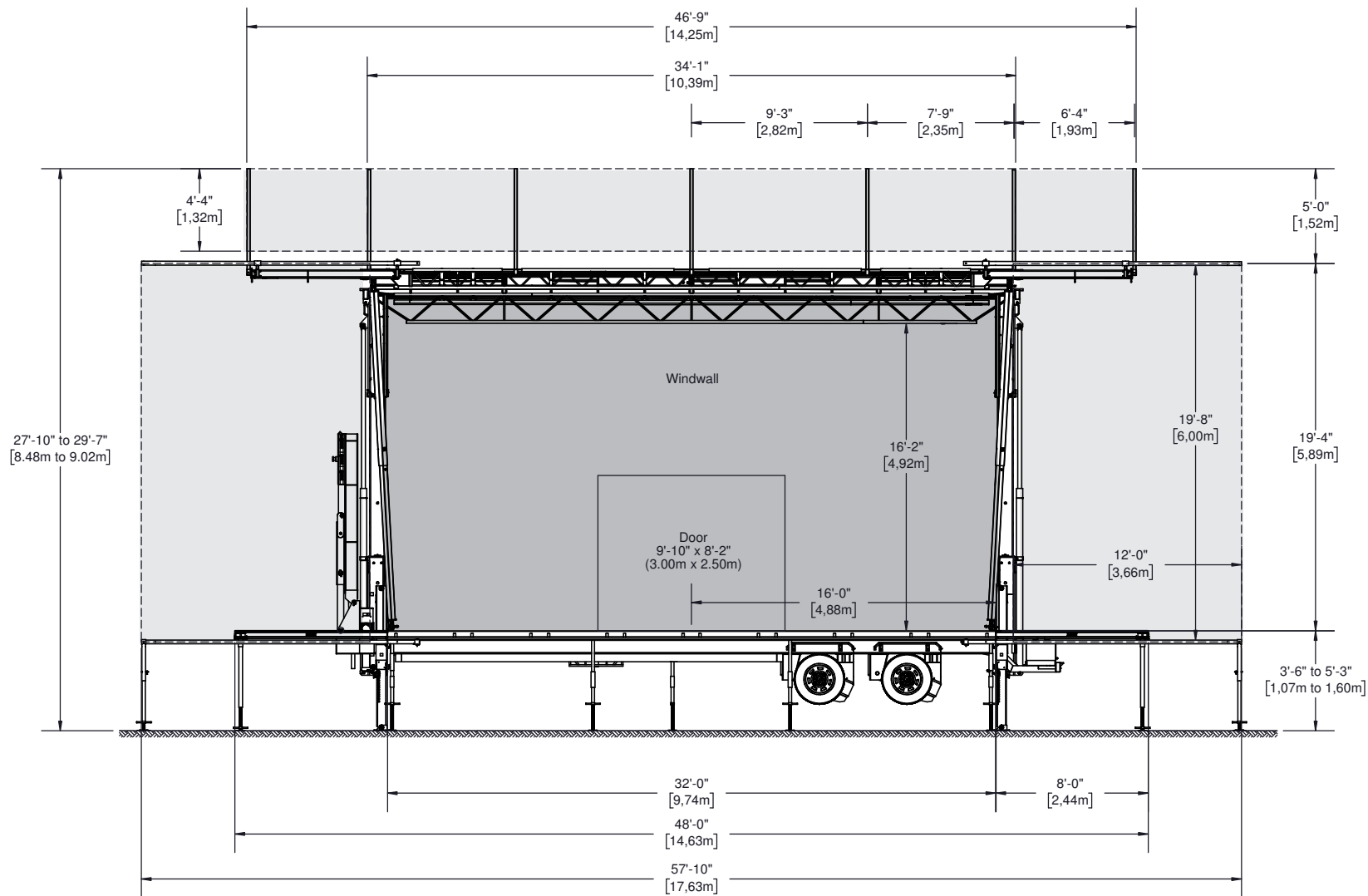
RENTAL DIVISION - DIVISION LOCATION

**SL250 NG**  
**TECHNICAL DRAWINGS**  
2020



Drawings may show stage equipped with optional accessories. May be sold separately.

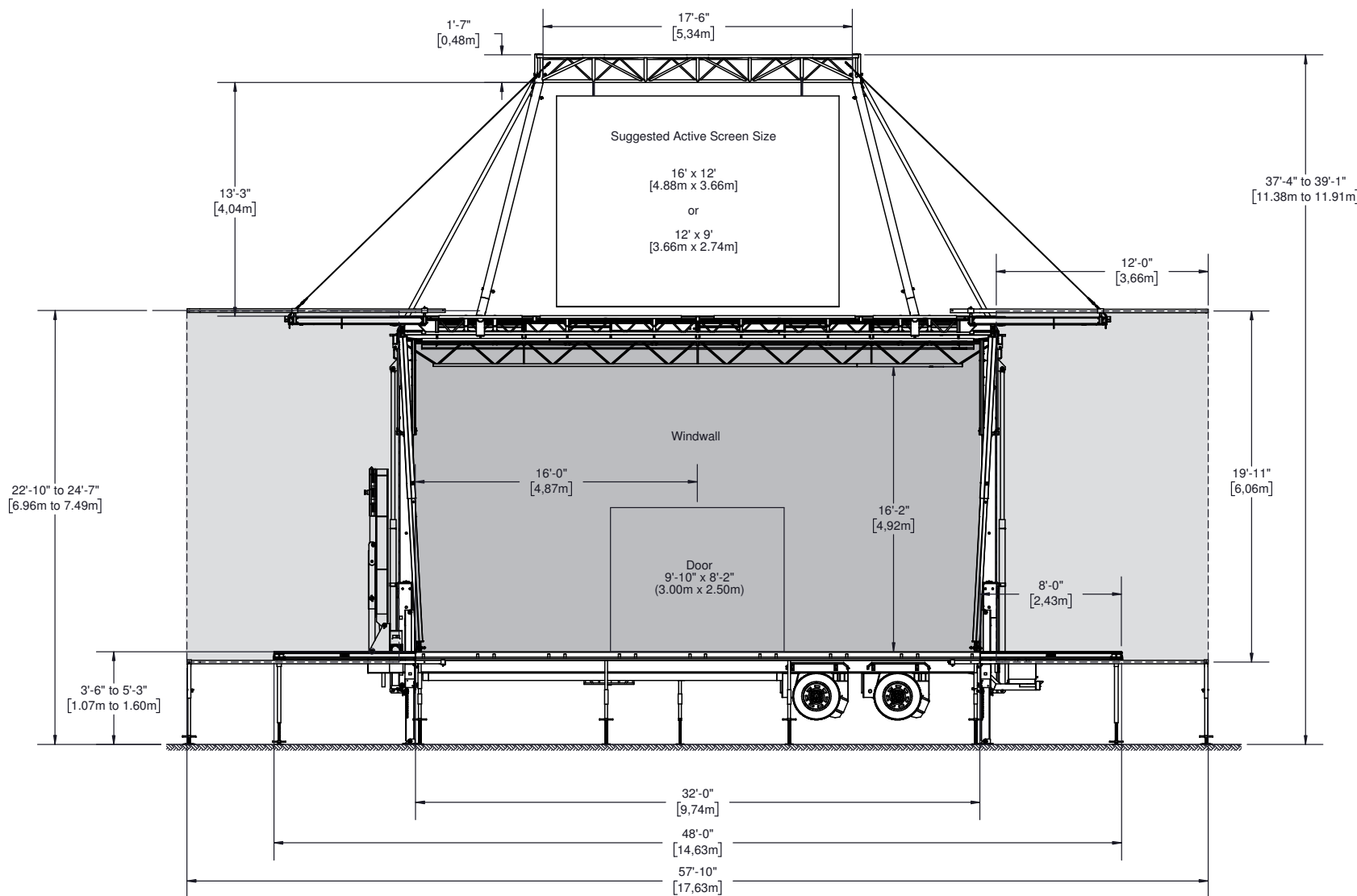
© 2020 - All rights reserved, Stageline Mobile Stage Inc. Any and all forms of adaptation or reproduction of this document including the plans and drawings, in whole or in part, are strictly forbidden without the written authorisation of Stageline Mobile Stage Inc. Mass may vary depending on options. Technical specifications may change without notice. Stage specifications are subject to change without notice. Figures are nominal.



- WINDWALL
- BANNER (For dimensions, please refer to Banner Book)

Drawings may show stage equipped with optional accessories. May be sold separately.

© 2020 - All rights reserved, Stageline Mobile Stage Inc. Any and all forms of adaptation or reproduction of this document including the plans and drawings, in whole or in part, are strictly forbidden without the written authorisation of Stageline Mobile Stage Inc. Mass may vary depending on options. Technical specifications may change without notice. Stage specifications are subject to change without notice. Figures are nominal.

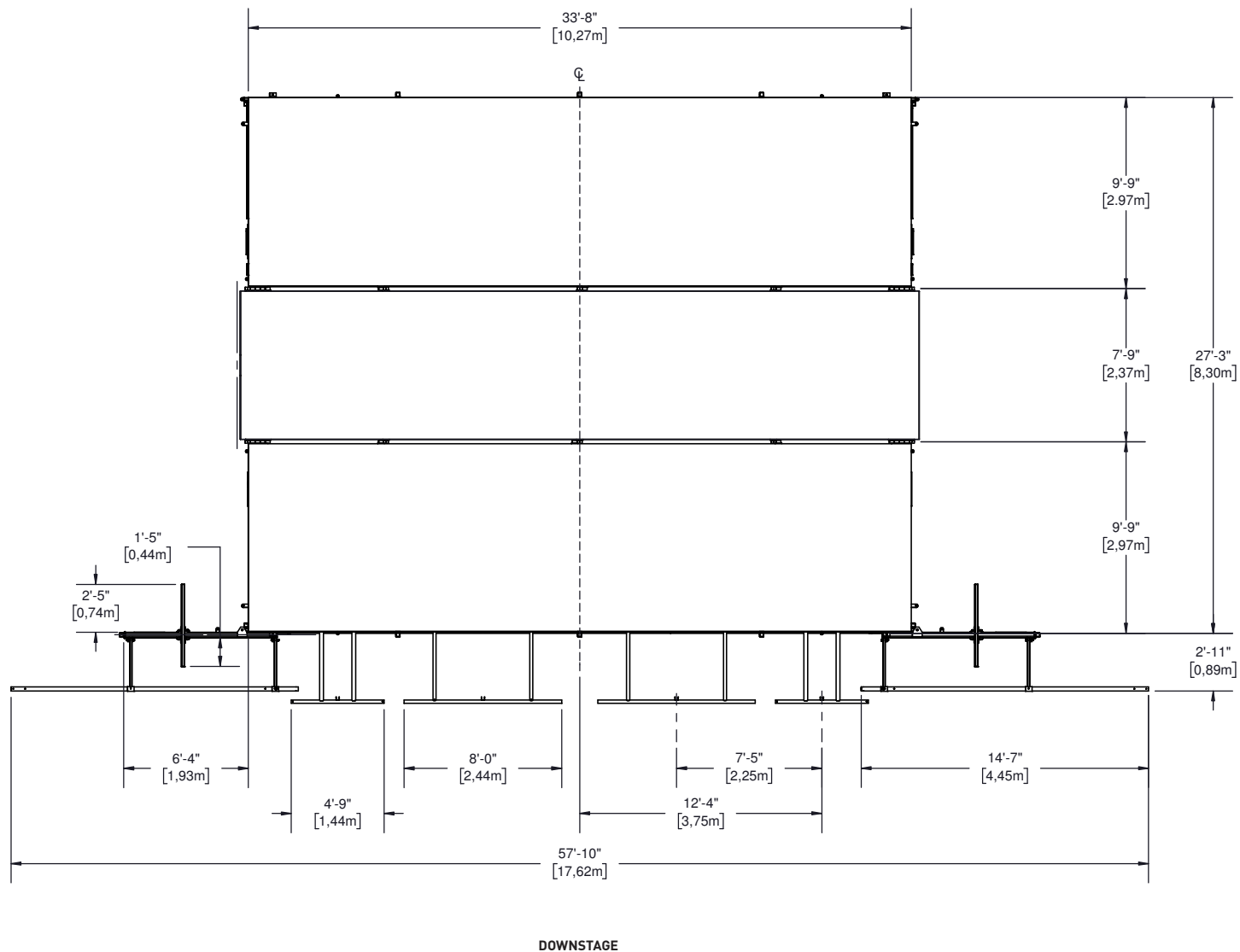


- WINDWALL
- BANNER (For dimensions, please refer to Banner Book)

Drawings may show stage equipped with optional accessories. May be sold separately.

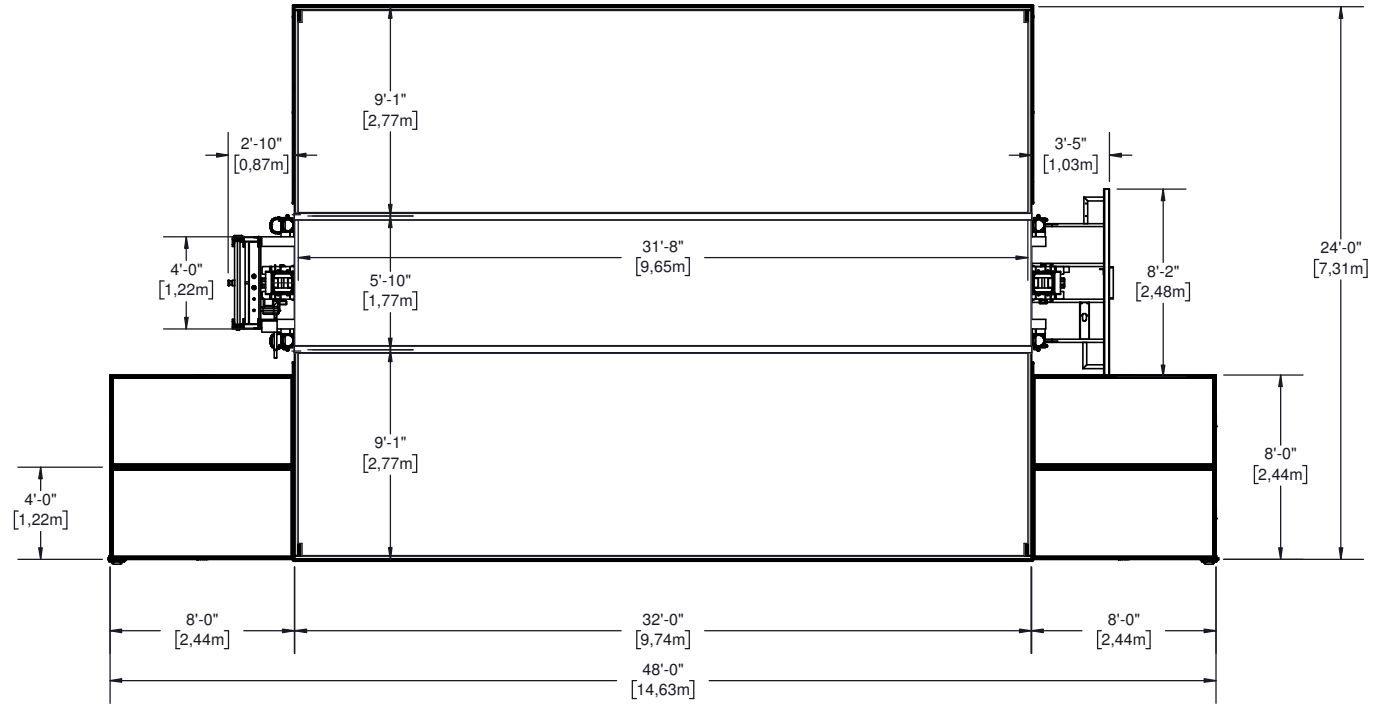
© 2020 - All rights reserved, Stageline Mobile Stage Inc. Any and all forms of adaptation or reproduction of this document including the plans and drawings, in whole or in part, are strictly forbidden without the written authorisation of Stageline Mobile Stage Inc. Mass may vary depending on options. Technical specifications may change without notice. Stage specifications are subject to change without notice. Figures are nominal.





Drawings may show stage equipped with optional accessories. May be sold separately.

© 2020 - All rights reserved, Stageline Mobile Stage Inc. Any and all forms of adaptation or reproduction of this document including the plans and drawings, in whole or in part, are strictly forbidden without the written authorisation of Stageline Mobile Stage Inc. Mass may vary depending on options. Technical specifications may change without notice. Stage specifications are subject to change without notice. Figures are nominal.

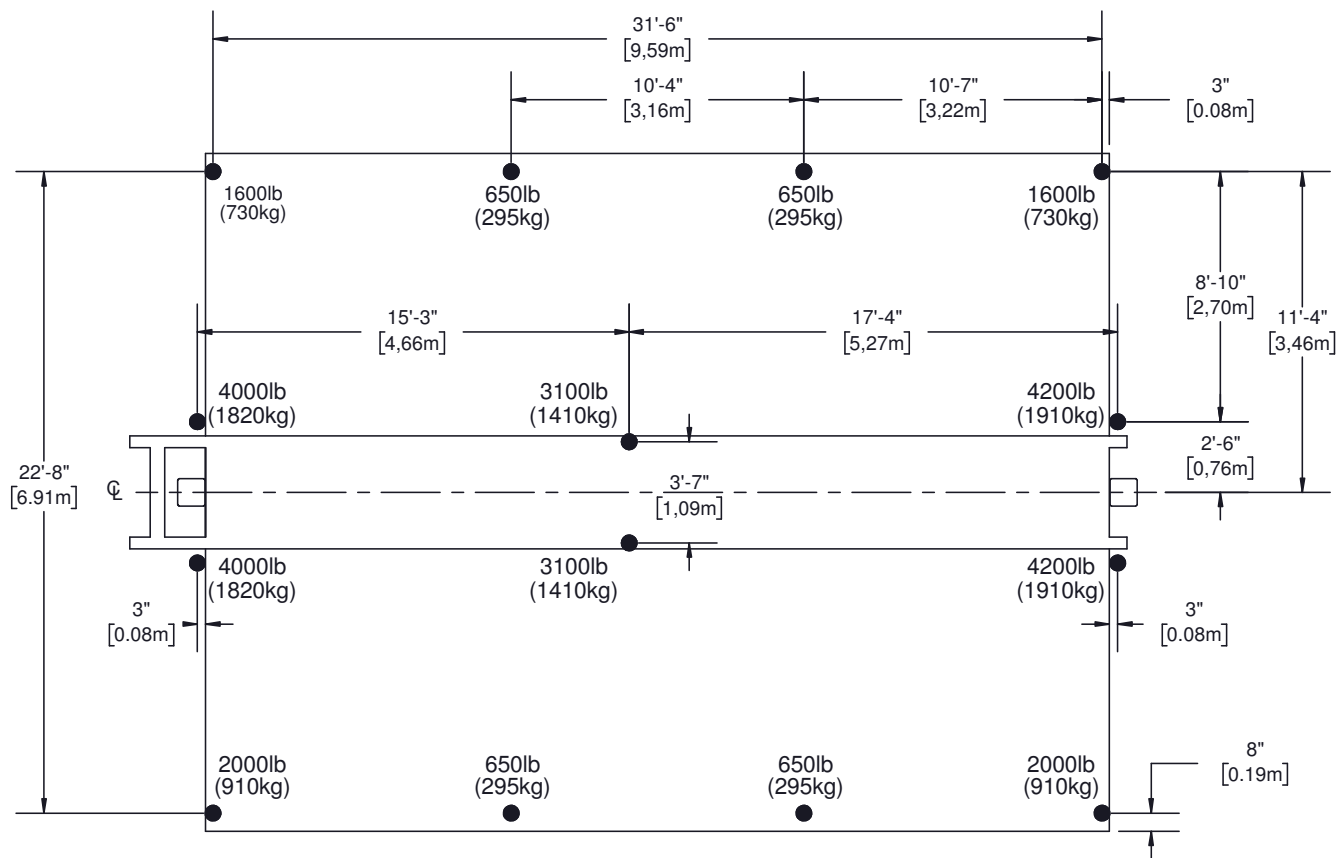


DOWNSTAGE

CAPACITY: 100lbs/ft² (490kg/m²)

Drawings may show stage equipped with optional accessories. May be sold separately.

© 2020 - All rights reserved, Stageline Mobile Stage Inc. Any and all forms of adaptation or reproduction of this document including the plans and drawings, in whole or in part, are strictly forbidden without the written authorisation of Stageline Mobile Stage Inc. Mass may vary depending on options. Technical specifications may change without notice. Stage specifications are subject to change without notice. Figures are nominal.



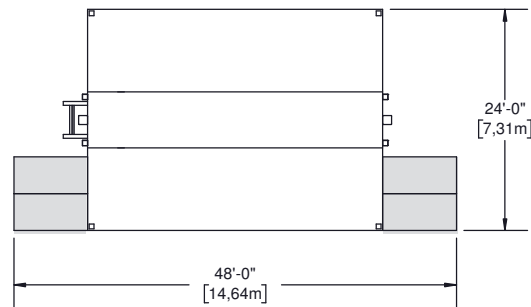
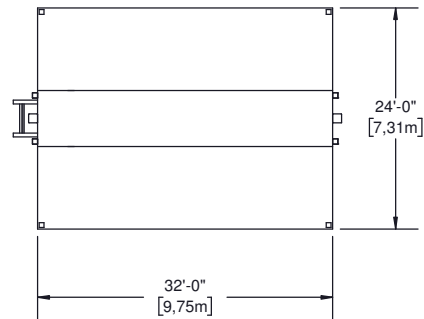
DOWNSTAGE

● FLOOR STABILIZERS, EXTENSIONS AND LEVELLING JACKS

Drawings may show stage equipped with optional accessories. May be sold separately.

© 2020 - All rights reserved, Stageline Mobile Stage Inc. Any and all forms of adaptation or reproduction of this document including the plans and drawings, in whole or in part, are strictly forbidden without the written authorisation of Stageline Mobile Stage Inc. Mass may vary depending on options. Technical specifications may change without notice. Stage specifications are subject to change without notice. Figures are nominal.

**Standard Configurations**



PLATFORM

Drawings may show stage equipped with optional accessories. May be sold separately.

© 2020 - All rights reserved, Stageline Mobile Stage Inc. Any and all forms of adaptation or reproduction of this document including the plans and drawings, in whole or in part, are strictly forbidden without the written authorisation of Stageline Mobile Stage Inc. Mass may vary depending on options. Technical specifications may change without notice. Stage specifications are subject to change without notice. Figures are nominal.

A thorough understanding of the inter-related loadings shown in this rigging plan is needed in order to safely use this mobile stage roof and to take full advantage of the many rigging opportunities it offers.

This mobile stage roof offers a variety of rigging options with regard to load capacity, placement and type.

There are trusses, rigging pipes, front overhang rigging pipes, side overhang rigging beams, line array rigging beams and roof rigging points.

This rigging plan locates and defines these rigging features, includes load capacity for each and describes maximum combinations of loads amongst features.

Take note of exclusions, maximum sub-totals in a group, load balance requirements, maximum lifting capacity of roof and maximum rigging load on roof.

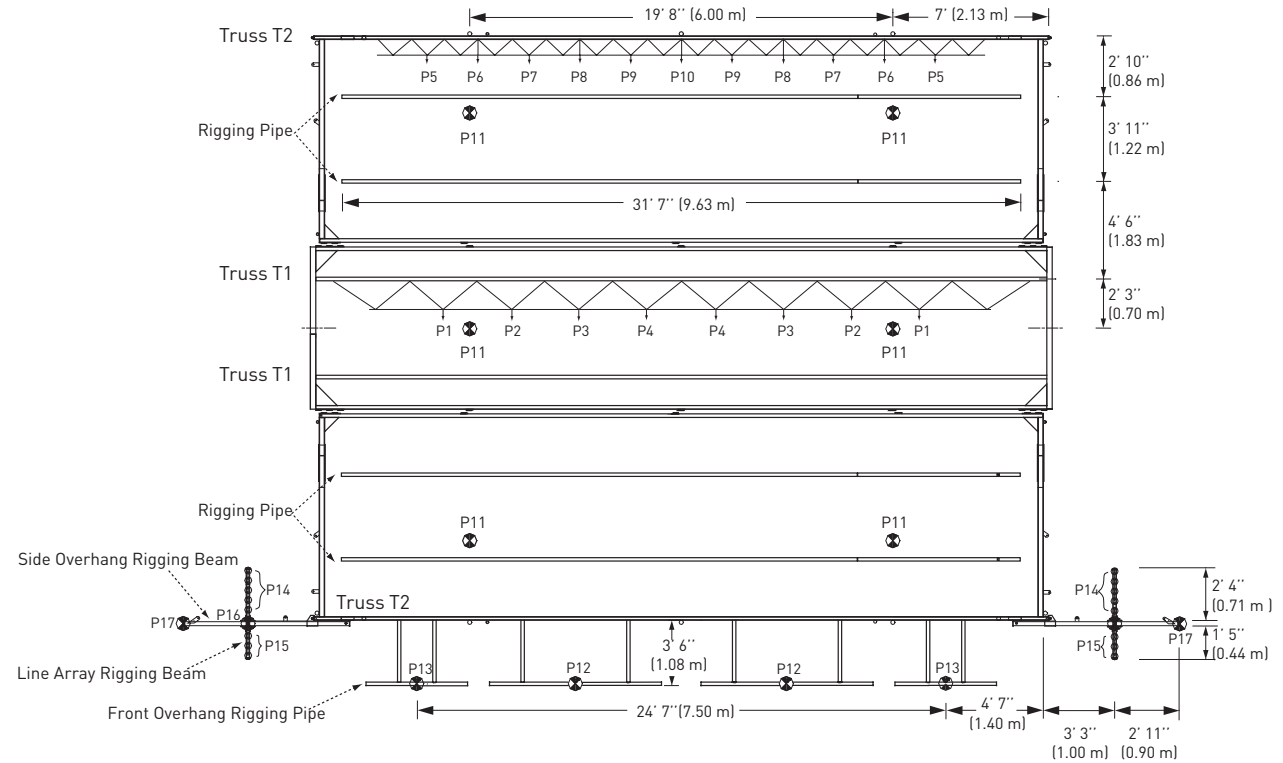
The maximum load on the roof is less than the sum of the maximum load on each rigging feature.

### RIGGING RESTRICTIONS:

- Use both P1s, P2s, P3s, etc. or P10 alone or 30 lb/lin. ft (45 kg/lin. m)
- Total load of both P12s and both P13s must not exceed 1000 lb (454 Kg).
- Load on each P12 must be uniformly distributed.
- Load on each P13 must be uniformly distributed or concentrated to steel hook.
- Total load of P14 to P17 at each side must not exceed 1750 lb (794 Kg) when banner is installed.
- Total load of P14 to P17 at each side must not exceed 2000 lb (908 Kg) when banner support is **NOT** installed.
- Never use P17 concurrently with P14 or P15 at a given side.
- Never use rigging pipes concurrently with P11s.
- Do not load more than 30 lb/lin. ft (45 kg/lin. m) per rigging pipes.
- Maximum asymmetric load difference between downstage and upstage roofs must not exceed 2600 lb (1179 kg).
- Do not load downstage roof panel with more than 250 lb (113 Kg) when corner post are in a 45 degrees angle

### NOTES:

Outside diameter of rigging bars and of lower chord of trusses is 2" (5 cm). Distance between rigging pipe and roof is 4" (10 cm). Distance between each lower chord node on T1 is 3' 4" (1.00 m). Distance between each lower chord node on T2 is 1' 8" (0.50 m). Line array rigging beams are reversible.



MAXIMUM LOAD BEARING CAPACITY: 12000 lb (5443 kg)

MAXIMUM ROOF LIFTING CAPACITY: 8000 lb (3930 kg)

Rigging Point Maximum Load Capacity		
Point No.	Lb	Kg
P15, P16 & P17	2000	908
P1, P5, P6, P11 & P14	1000	454
P2 & P7	750	340
P3 & P8	600	272
P4, P9, P10 & P13	500	227
P12	350	159

Drawings may show stage equipped with optional accessories. May be sold separately.

© 2020 - All rights reserved, Stageline Mobile Stage Inc. Any and all forms of adaptation or reproduction of this document including the plans and drawings, in whole or in part, are strictly forbidden without the written authorisation of Stageline Mobile Stage Inc. Mass may vary depending on options. Technical specifications may change without notice. Stage specifications are subject to change without notice. Figures are nominal.

A thorough understanding of the inter-related loadings shown in this rigging plan is needed in order to safely use this mobile stage roof and to take full advantage of the many rigging opportunities it offers.

This mobile stage roof offers a variety of rigging options with regard to load capacity, placement and type.

There are trusses, rigging pipes, front overhang rigging pipes, side overhang rigging beams, line array rigging beams and roof rigging points.

This rigging plan locates and defines these rigging features, includes load capacity for each and describes maximum combinations of loads amongst features.

Take note of exclusions, maximum sub-totals in a group, load balance requirements, maximum lifting capacity of roof and maximum rigging load on roof.

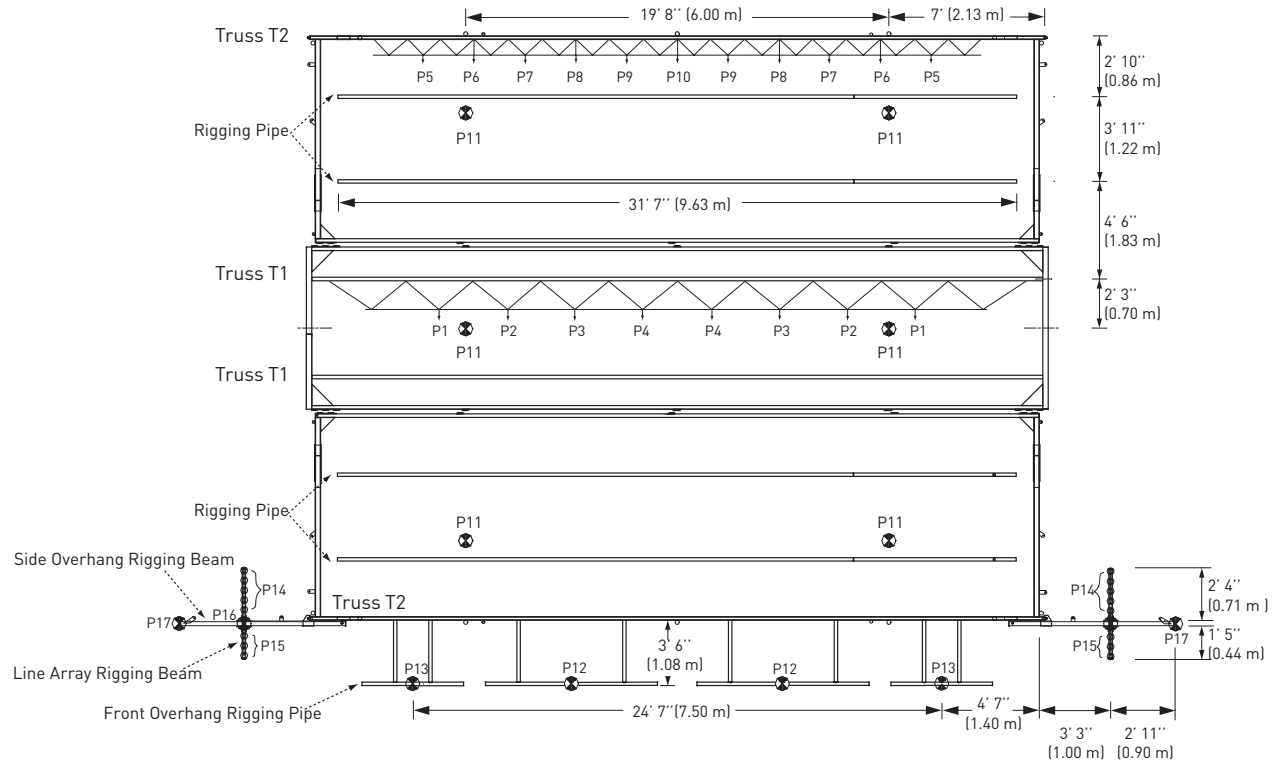
The maximum load on the roof is less than the sum of the maximum load on each rigging feature.

### RIGGING RESTRICTIONS:

- Use both P1s, P2s, P3s, etc. or P10 alone or 30 lb/lin. ft (45 kg/lin. m)
- Total load of both P12s and both P13s must not exceed 1000 lb (454 Kg).
- Load on each P12 must be uniformly distributed.
- Load on each P13 must be uniformly distributed or concentrated to steel hook.
- Total load of P14 to P17 at each side must not exceed 1750 lb (794 Kg) when banner is installed.
- Total load of P14 to P17 at each side must not exceed 2000 lb (908 Kg) when banner support is **NOT** installed.
- Never use P17 concurrently with P14 or P15 at a given side.
- Never use rigging pipes concurrently with P11s.
- Do not load more than 30 lb/lin. ft (45 kg/lin. m) per rigging pipes.
- Maximum asymmetric load difference between downstage and upstage roof panels must not exceed 2600 lb (1179 kg).
- Do not load downstage roof panel with more than 250 lb (113 Kg) when corner post are in a 45 degrees angle

### NOTES:

Outside diameter of rigging bars and of lower chord of trusses is 2" (5 cm). Distance between rigging pipe and roof is 4" (10 cm). Distance between each lower chord node on T1 is 3' 4" (1.00 m). Distance between each lower chord node on T2 is 1' 8" (0.50 m). Line array rigging beams are reversible.



**MAXIMUM LOAD BEARING CAPACITY: 12000 LB (5443 KG)\***

\*All corner posts must be installed and pinned.

**MAXIMUM ROOF LIFTING CAPACITY: 8000 lb (3930 kg)**

Rigging Point Maximum Load Capacity		
Point No.	Lb	Kg
P14, P15, P16 & P17	2000	908
P1, P5, P6 & P11	1000	454
P2 & P7	750	340
P3 & P8	600	272
P4, P9, P10 & P13	500	227
P12	350	159

Drawings may show stage equipped with optional accessories. May be sold separately.

© 2020 - All rights reserved, Stageline Mobile Stage Inc. Any and all forms of adaptation or reproduction of this document including the plans and drawings, in whole or in part, are strictly forbidden without the written authorisation of Stageline Mobile Stage Inc. Mass may vary depending on options. Technical specifications may change without notice. Stage specifications are subject to change without notice. Figures are nominal.

A thorough understanding of the inter-related loadings shown in this rigging plan is needed in order to safely use this mobile stage roof and to take full advantage of the many rigging opportunities it offers.

This mobile stage roof offers a variety of rigging options with regard to load capacity, placement and type.

There are trusses, rigging pipes, front overhang rigging pipes, side overhang rigging beams, line array rigging beams and roof rigging points.

This rigging plan locates and defines these rigging features, includes load capacity for each and describes maximum combinations of loads amongst features.

Take note of exclusions, maximum sub-totals in a group, load balance requirements, maximum lifting capacity of roof and maximum rigging load on roof.

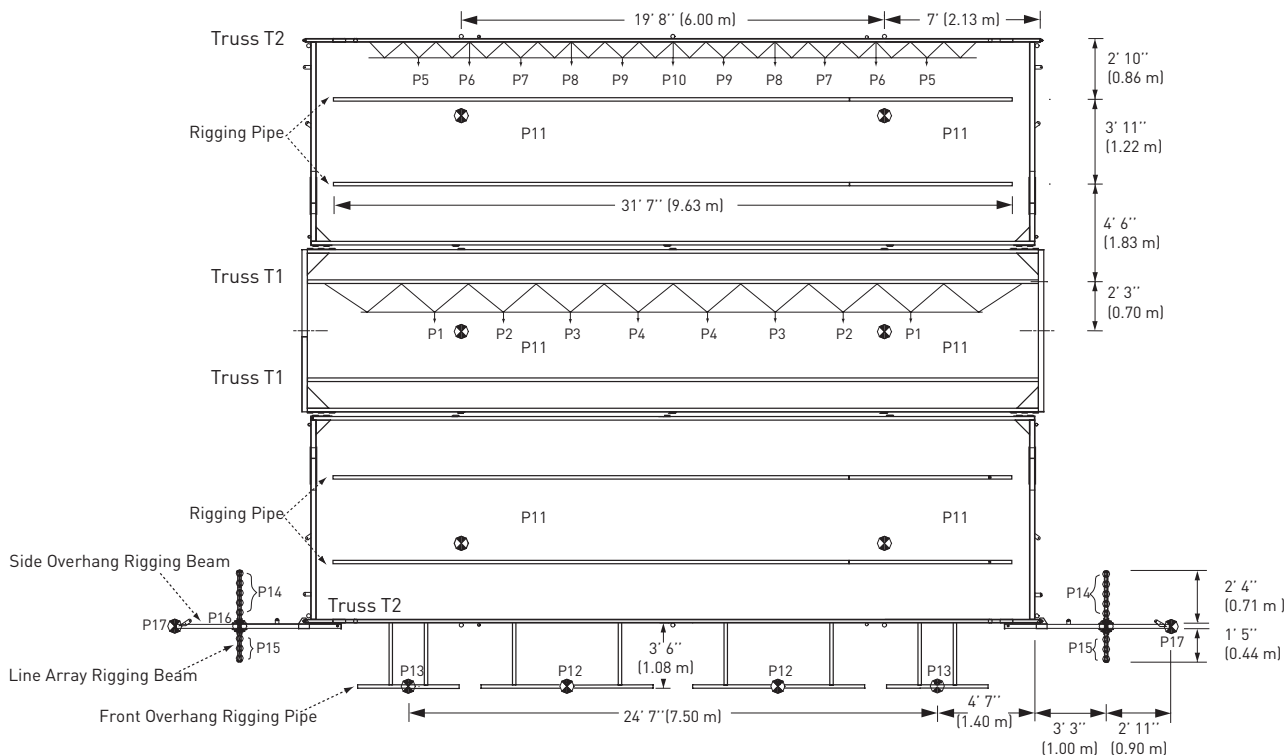
The maximum load on the roof is less than the sum of the maximum load on each rigging feature.

#### RIGGING RESTRICTIONS:

- Use both P1s, P2s, P3s, etc. or P10 alone or 30 lb/lin. ft (45 kg/lin. m)
- Total load of both P12s and both P13s must not exceed 1500 lb (680 Kg).
- Load on each P12 must be uniformly distributed.
- Load on each P13 must be uniformly distributed or concentrated to steel hook.
- Total load of P14 to P17 at each side must not exceed 1750 lb (794 Kg) when banner is installed.
- Total load of P14 to P17 at each side must not exceed 2000 lb (908 Kg) when banner support is **NOT** installed.
- Never use P17 concurrently with P14 or P15 at a given side.
- Never use rigging pipes concurrently with P11s.
- Do not load more than 30 lb/lin. ft (45 kg/lin. m) per rigging pipes.
- Do not load downstage roof panel with more than 250 lb (113 Kg) when corner post are in a 45 degrees angle

#### NOTES:

Outside diameter of rigging bars and of lower chord of trusses is 2" (5 cm). Distance between rigging pipe and roof is 4" (10 cm). Distance between each lower chord node on T1 is 3' 4" (1.00 m). Distance between each lower chord node on T2 is 1' 8" (0.50 m). Line array rigging beams are reversible.



**MAXIMUM LOAD BEARING CAPACITY: 17500 LB (7938 KG)\***

\*All corner posts must be installed and pinned.

**MAXIMUM ROOF  
LIFTING CAPACITY: 8000 lb (3930 kg)**

Rigging Point Maximum Load Capacity		
Point No.	Lb	Kg
P14, P15, P16 & P17	2000	908
P1, P5, P6 & P11	1000	454
P2, P7 & P13	750	340
P3 & P8	600	272
P4, P9 & P10	500	227
P12	350	159

Drawings may show stage equipped with optional accessories. May be sold separately.