

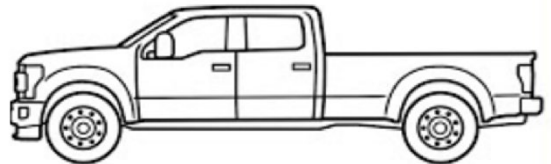
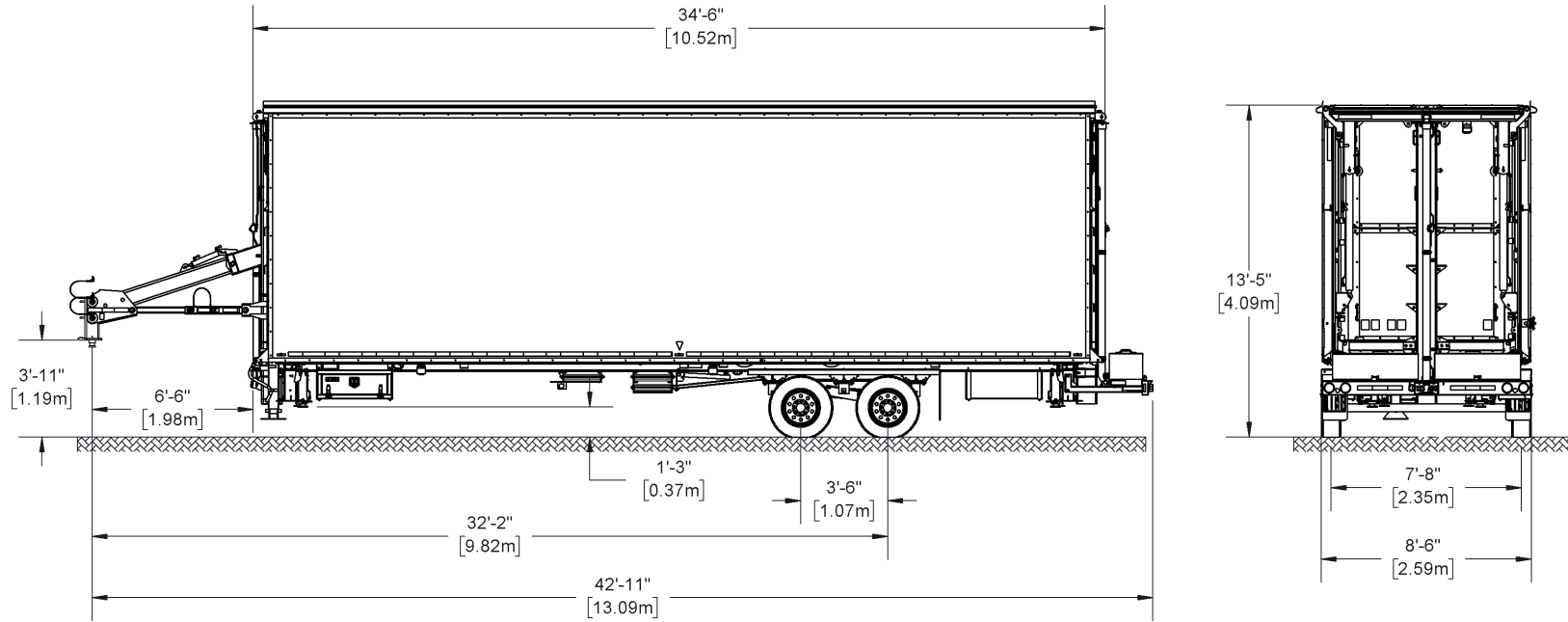
SL225

SL225 TECHNICAL DRAWINGS



MASS & DIMENSIONS

SL225

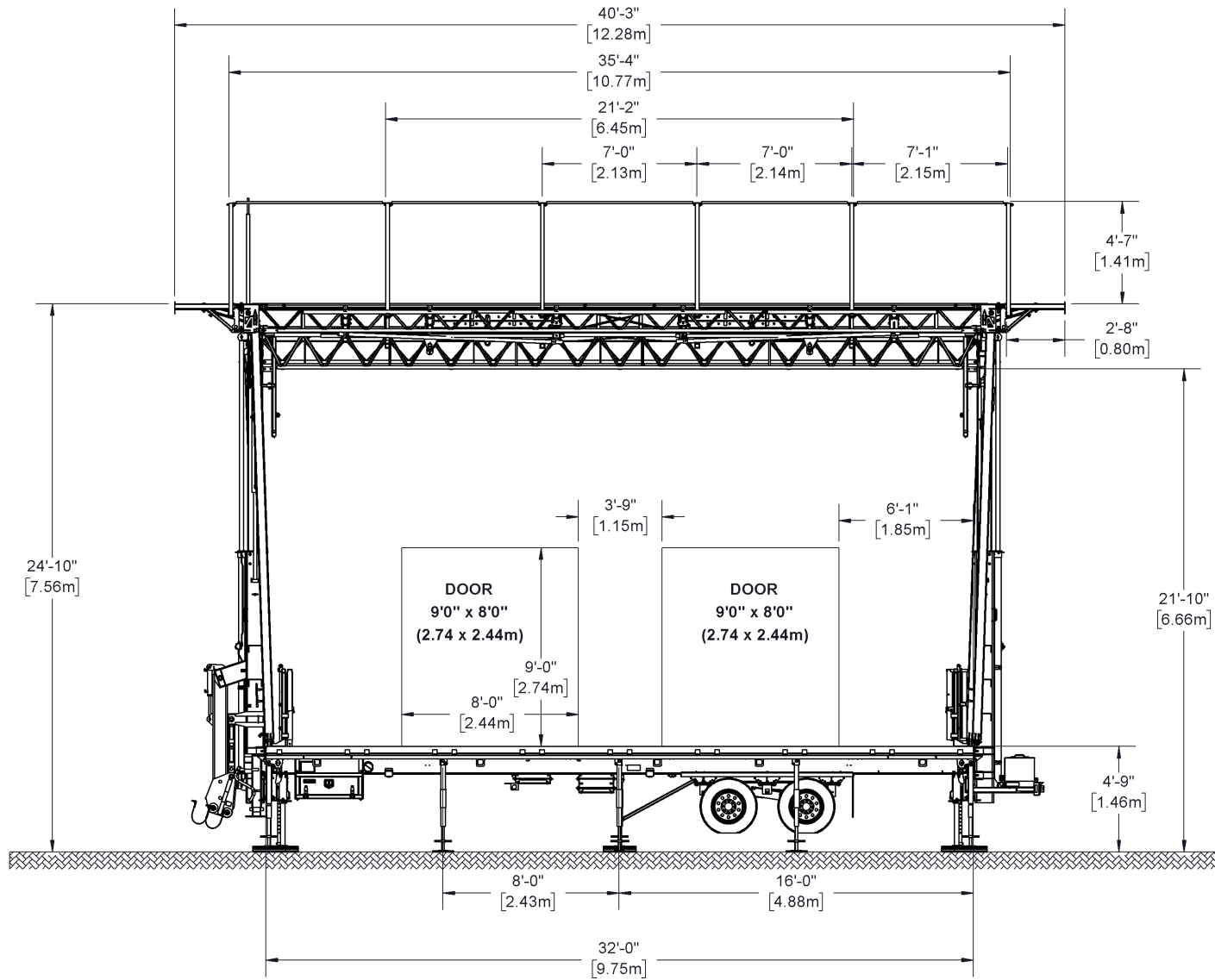


MASS	UNLADEN		STANDARD EQUIPMENT		MAXIMUM CAPACITY	
	LB	KG	LB	KG	LB	KG
Total Mass	17049	7732	18820	8535	23000	10431
Mass on Axle	13469	6108	14868	6743	18000	8163
Mass of Hitch	3580	1624	3952	1792	-	-

STAGELINE Drawings may show stage equipped with optional accessories. May be sold separately.
 © 2025 - All rights reserved, Stageline Mobile Stage Inc. Any and all forms of adaptation or reproduction of this document including the plans and drawings, in whole or in part, are strictly forbidden without the written authorisation of Stageline Mobile Stage Inc. Mass may vary depending on options. Technical specifications may change without notice. Stage specifications are subject to change without notice. Figures are nominal.

FRONT VIEW

SL225

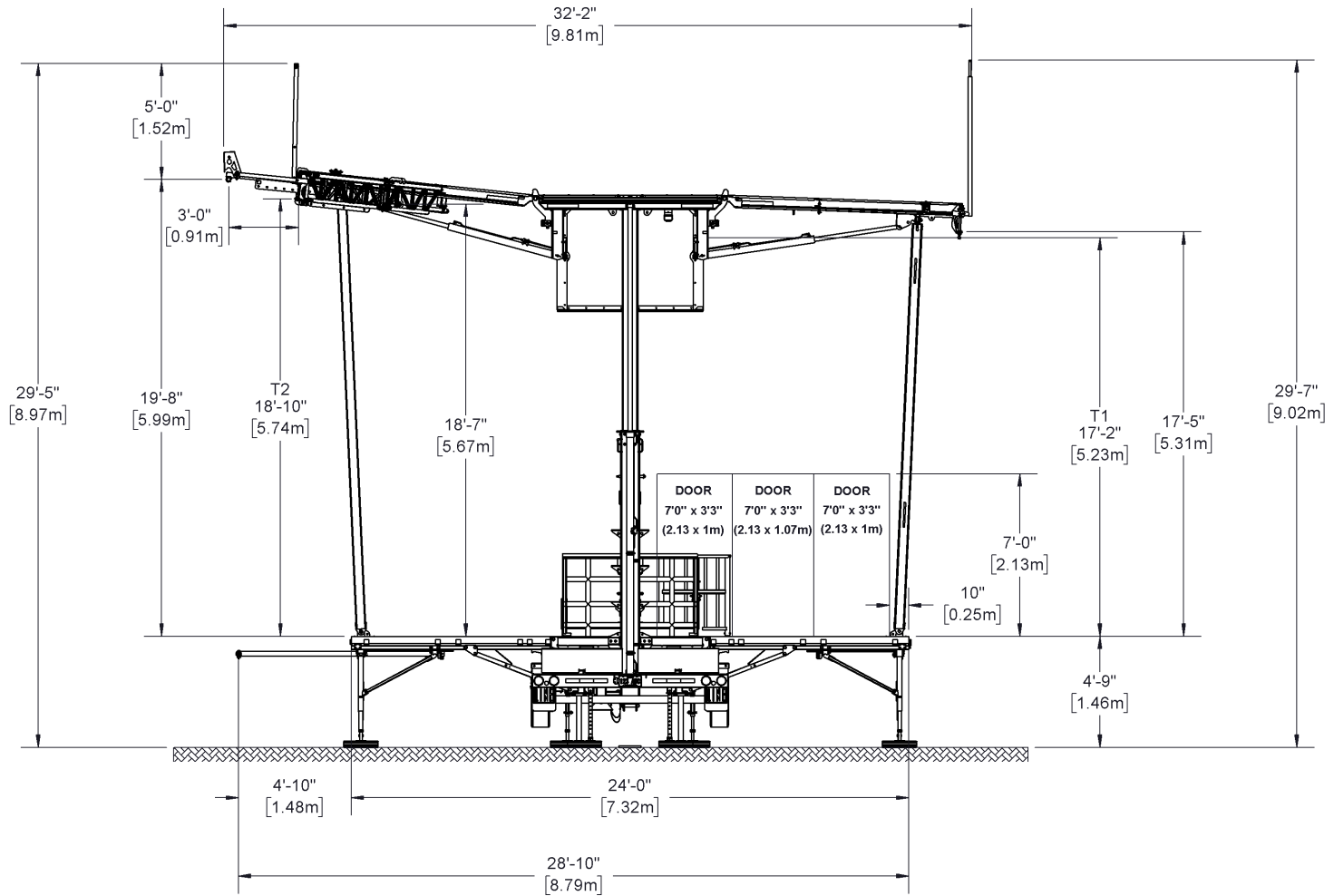


Drawings may show stage equipped with optional accessories. May be sold separately.

© 2025 - All rights reserved, Stageline Mobile Stage Inc. Any and all forms of adaptation or reproduction of this document including the plans and drawings, in whole or in part, are strictly forbidden without the written authorisation of Stageline Mobile Stage Inc. Mass may vary depending on options. Technical specifications may change without notice. Stage specifications are subject to change without notice. Figures are nominal.

SIDE VIEW

SL225

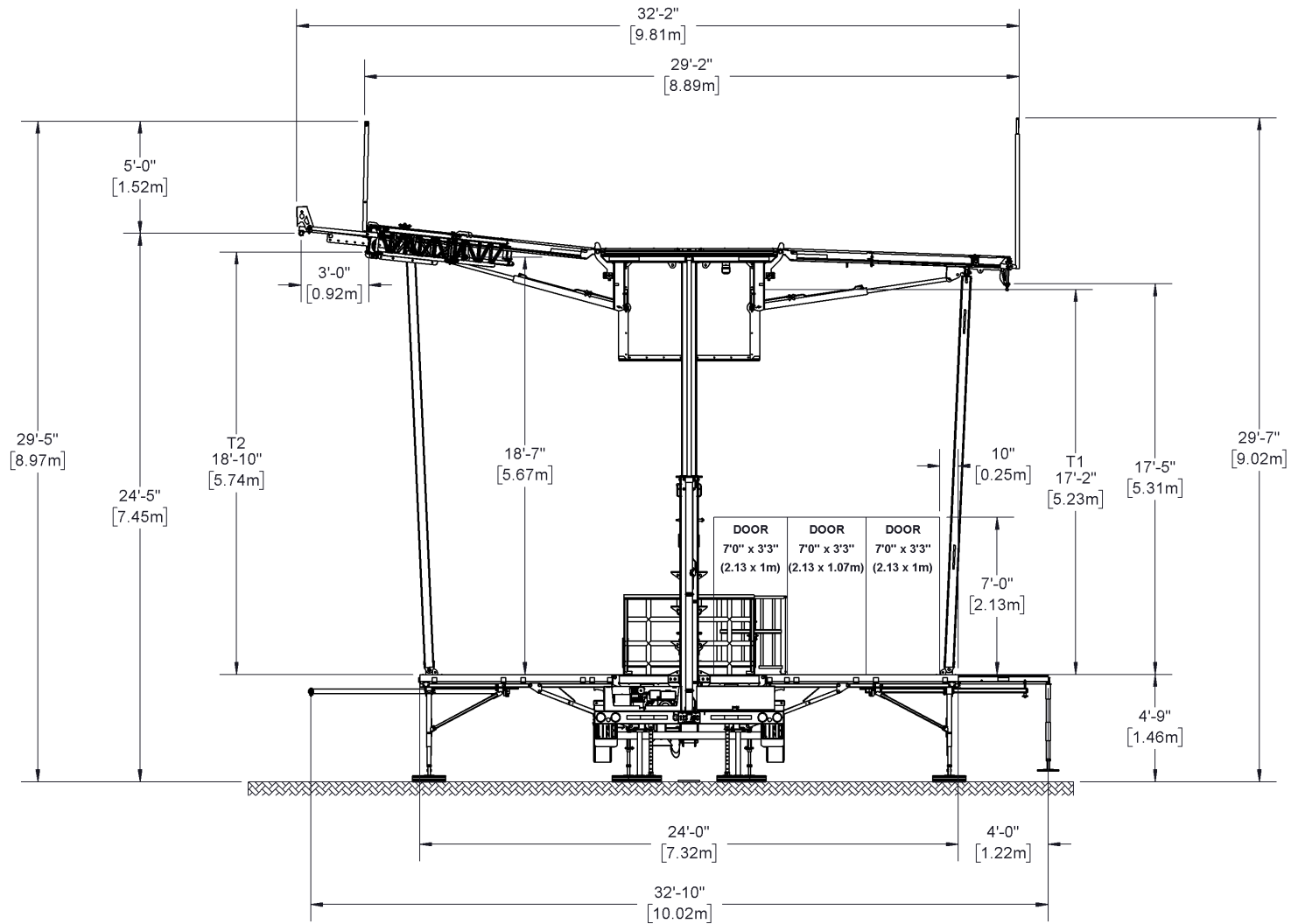


Drawings may show stage equipped with optional accessories. May be sold separately.

© 2025 - All rights reserved, Stageline Mobile Stage Inc. Any and all forms of adaptation or reproduction of this document including the plans and drawings, in whole or in part, are strictly forbidden without the written authorisation of Stageline Mobile Stage Inc. Mass may vary depending on options. Technical specifications may change without notice. Stage specifications are subject to change without notice. Figures are nominal.

SIDE VIEW WITH 4' UPSTAGE FLOOR EXTENSION

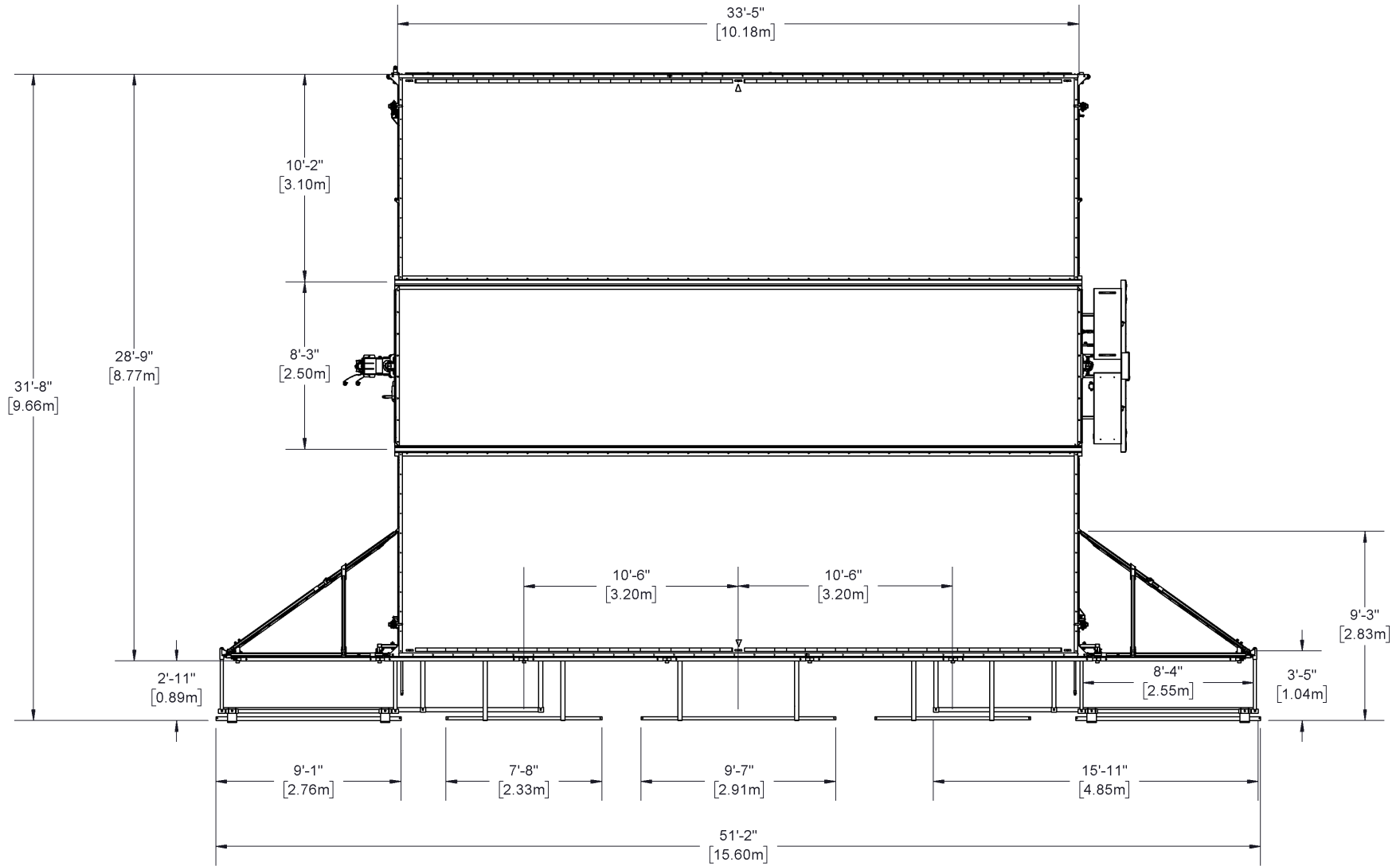
SL225



Drawings may show stage equipped with optional accessories. May be sold separately.
 © 2025 - All rights reserved, Stageline Mobile Stage Inc. Any and all forms of adaptation or reproduction of this document including the plans and drawings, in whole or in part, are strictly forbidden without the written authorisation of Stageline Mobile Stage Inc. Mass may vary depending on options.
 Technical specifications may change without notice. Stage specifications are subject to change without notice. Figures are nominal.

ROOF VIEW

SL225

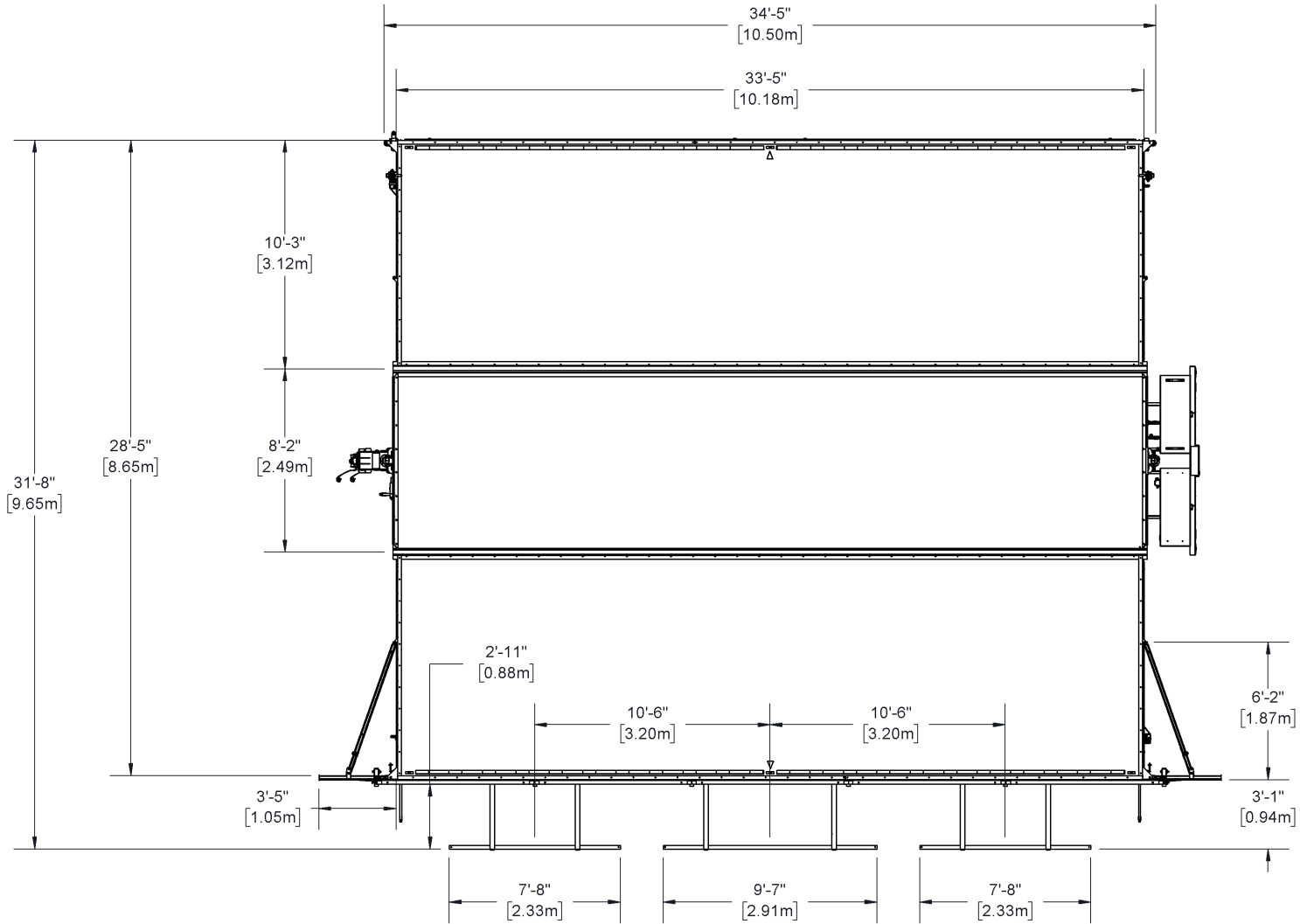


Drawings may show stage equipped with optional accessories. May be sold separately.

© 2025 - All rights reserved, Stageline Mobile Stage Inc. Any and all forms of adaptation or reproduction of this document including the plans and drawings, in whole or in part, are strictly forbidden without the written authorisation of Stageline Mobile Stage Inc. Mass may vary depending on options. Technical specifications may change without notice. Stage specifications are subject to change without notice. Figures are nominal.

ROOF VIEW

SL225

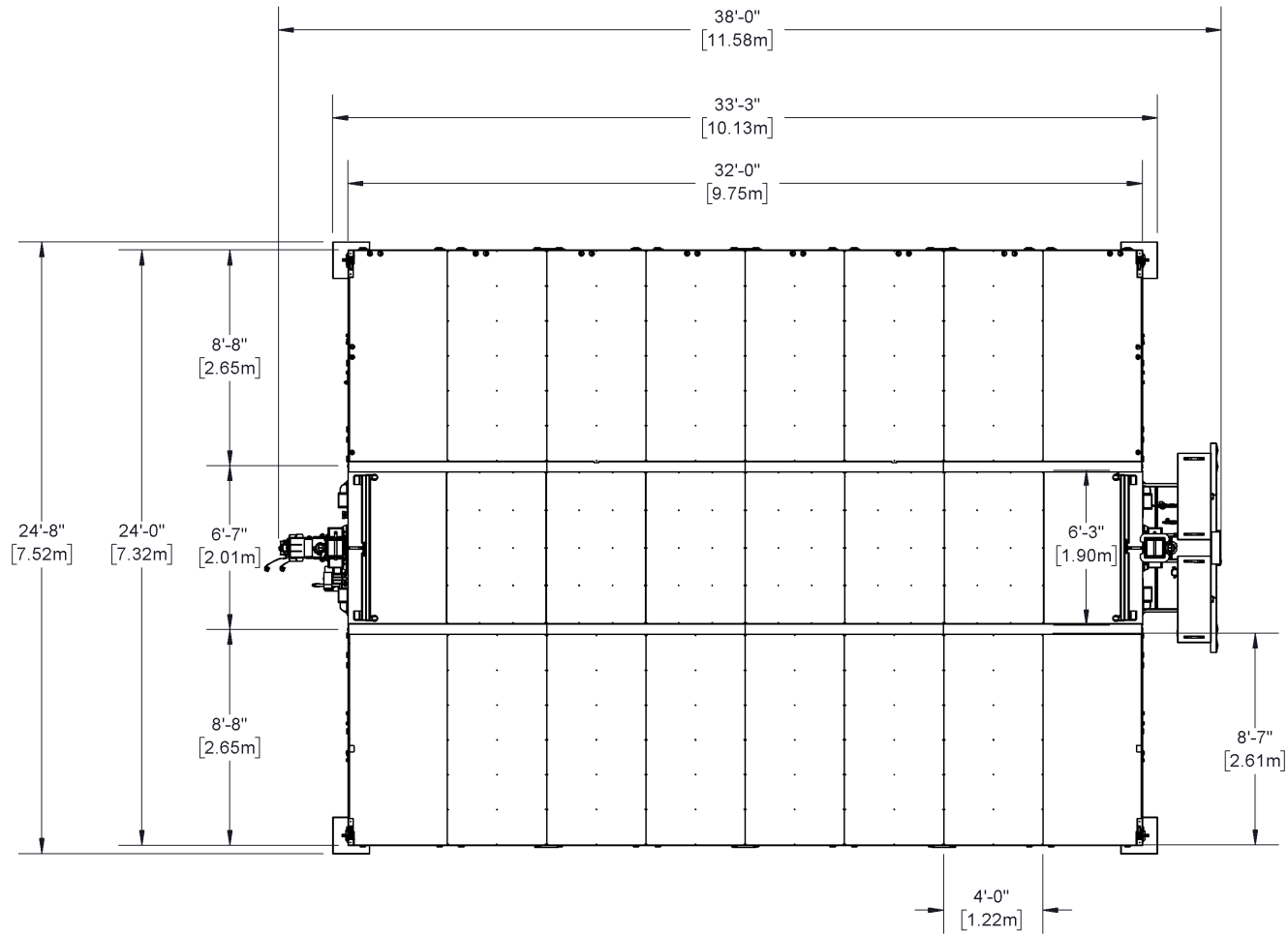


Drawings may show stage equipped with optional accessories. May be sold separately.

© 2025 - All rights reserved, Stageline Mobile Stage Inc. Any and all forms of adaptation or reproduction of this document including the plans and drawings, in whole or in part, are strictly forbidden without the written authorisation of Stageline Mobile Stage Inc. Mass may vary depending on options. Technical specifications may change without notice. Stage specifications are subject to change without notice. Figures are nominal.

FLOOR VIEW

SL225



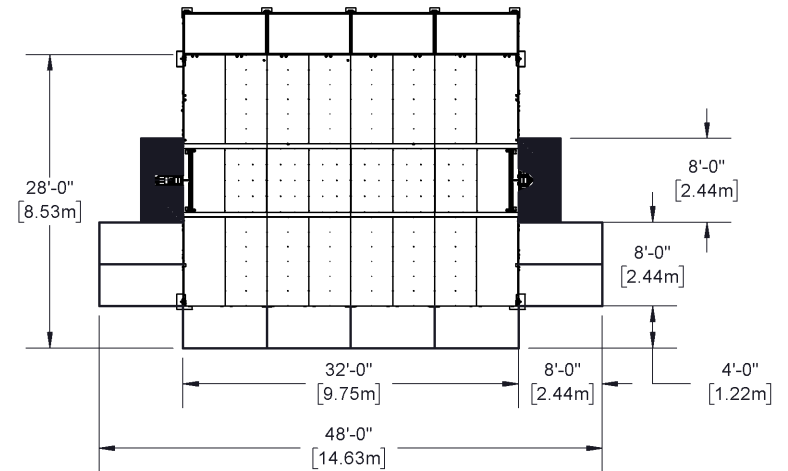
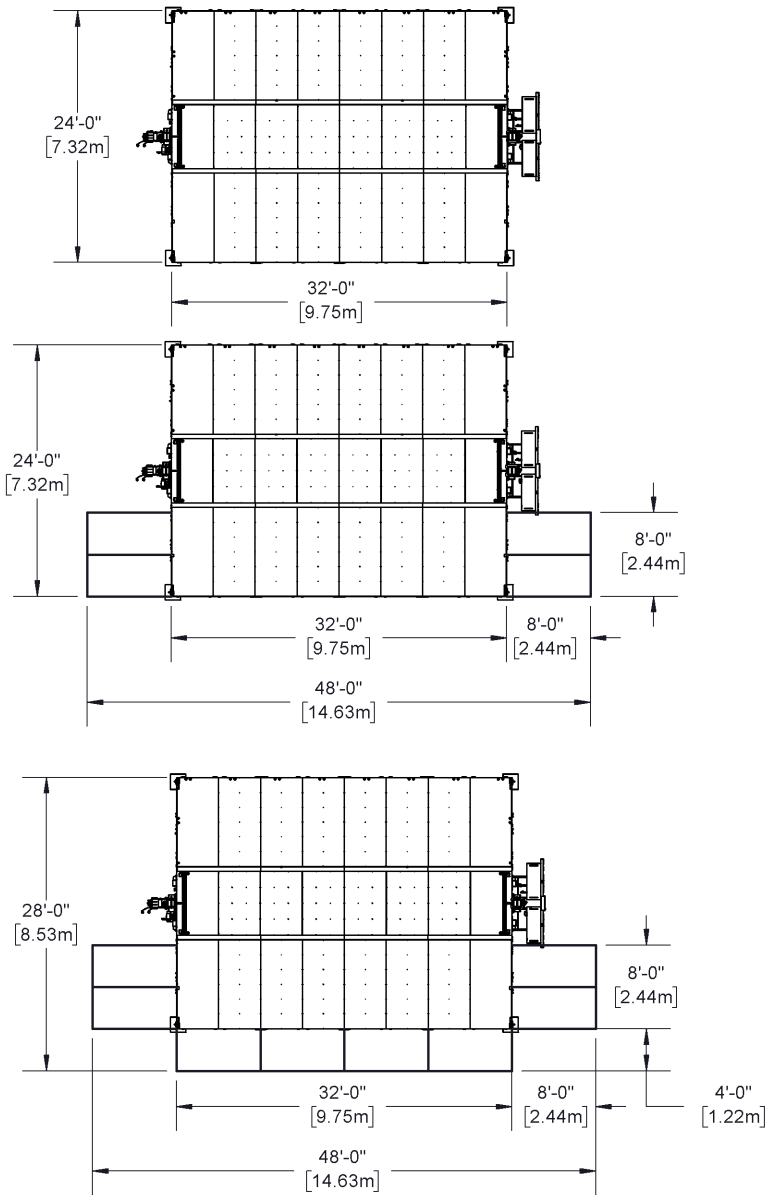
Drawings may show stage equipped with optional accessories. May be sold separately.

© 2025 - All rights reserved, Stageline Mobile Stage Inc. Any and all forms of adaptation or reproduction of this document including the plans and drawings, in whole or in part, are strictly forbidden without the written authorisation of Stageline Mobile Stage Inc. Mass may vary depending on options. Technical specifications may change without notice. Stage specifications are subject to change without notice. Figures are nominal.

FLOOR VIEW WITH PLATFORM EXTENSIONS

1/2

SL225



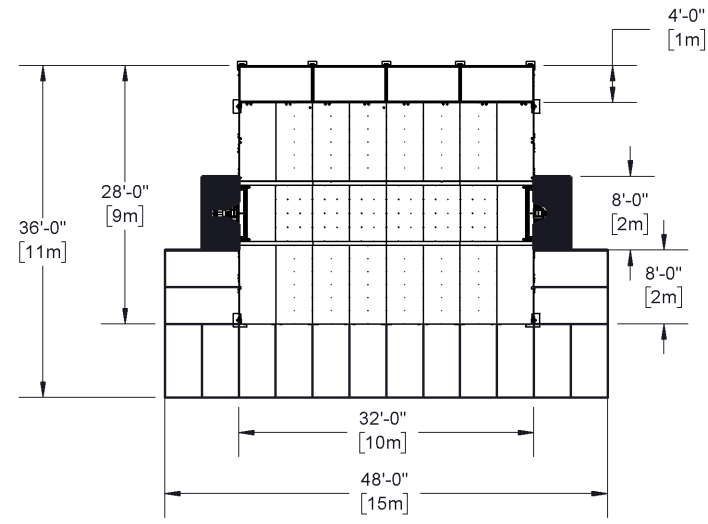
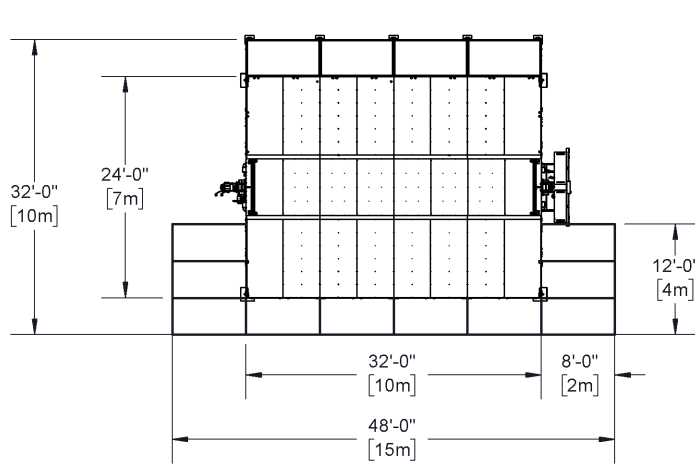
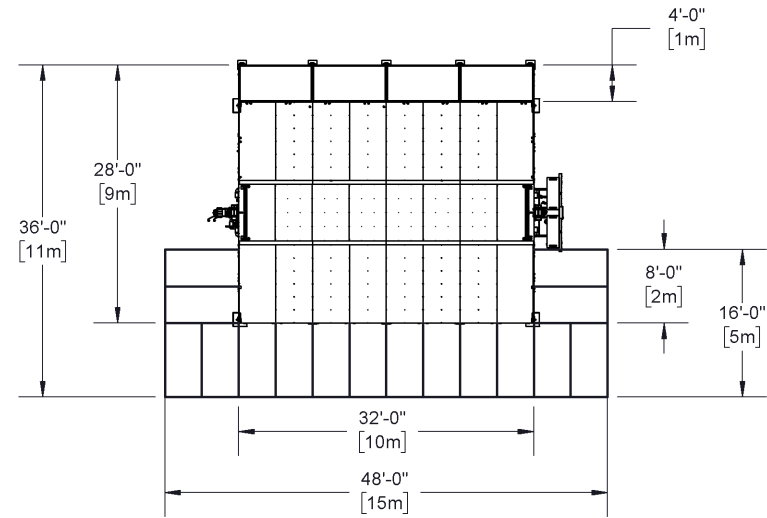
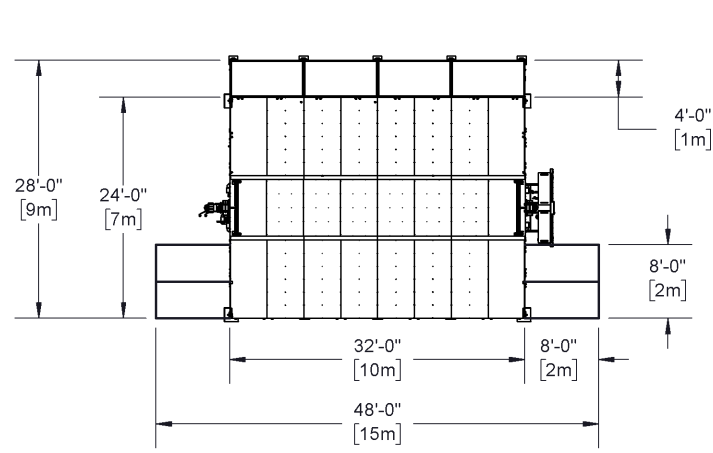
Drawings may show stage equipped with optional accessories. May be sold separately.

© 2025 - All rights reserved, Stageline Mobile Stage Inc. Any and all forms of adaptation or reproduction of this document including the plans and drawings, in whole or in part, are strictly forbidden without the written authorisation of Stageline Mobile Stage Inc. Mass may vary depending on options. Technical specifications may change without notice. Stage specifications are subject to change without notice. Figures are nominal.

FLOOR VIEW WITH PLATFORM EXTENSIONS

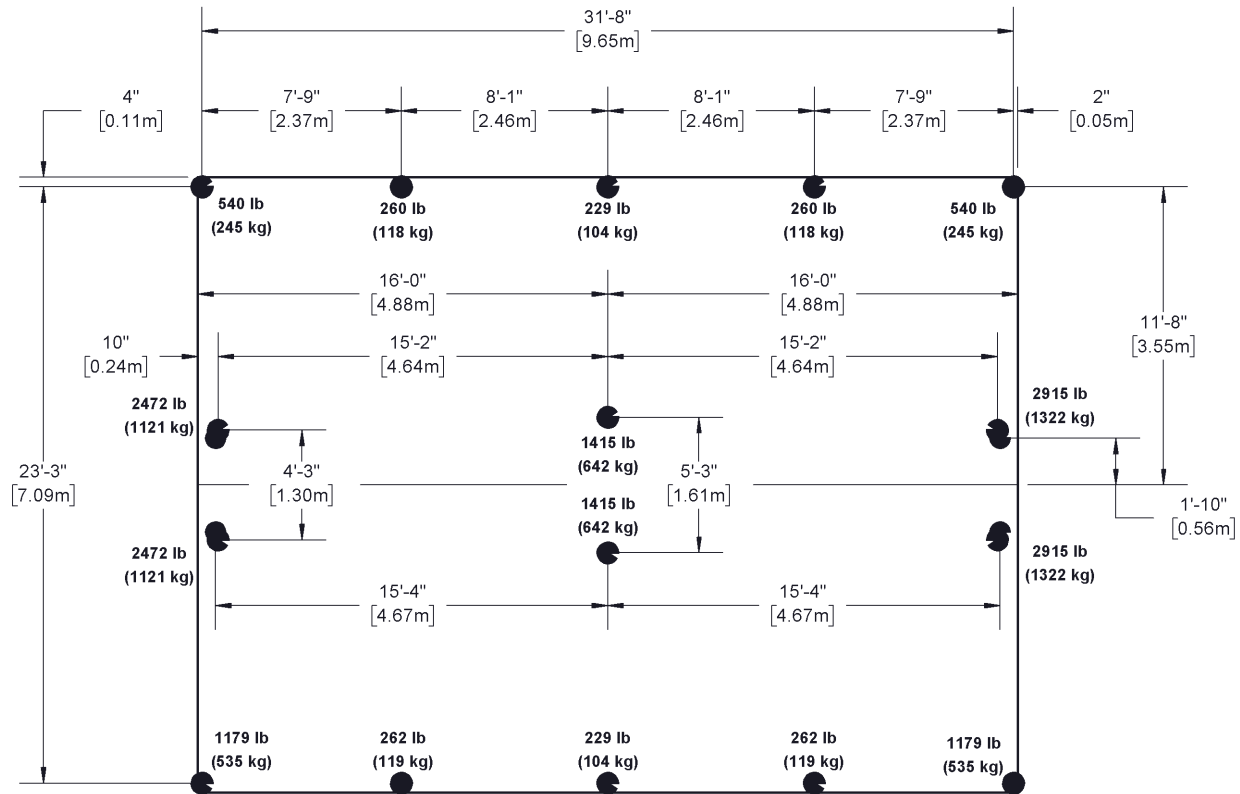
2/2

SL225



Drawings may show stage equipped with optional accessories. May be sold separately.
 © 2025 - All rights reserved, Stageline Mobile Stage Inc. Any and all forms of adaptation or reproduction of this document including the plans and drawings, in whole or in part, are strictly forbidden without the written authorisation of Stageline Mobile Stage Inc. Mass may vary depending on options.
 Technical specifications may change without notice. Stage specifications are subject to change without notice. Figures are nominal.

DEAD LOAD GROUND SUPPORT



Downstage

● Floor stabilizers, extensions and levelling jacks



Drawings may show stage equipped with optional accessories. May be sold separately.
 © 2025 - All rights reserved, Stageline Mobile Stage Inc. Any and all forms of adaptation or reproduction of this document including the plans and drawings, in whole or in part, are strictly forbidden without the written authorisation of Stageline Mobile Stage Inc. Mass may vary depending on options.
 Technical specifications may change without notice. Stage specifications are subject to change without notice. Figures are nominal.

UPSTAGE VIDEO WALL BRACING SYSTEM AND BALLAST REQUIREMENT

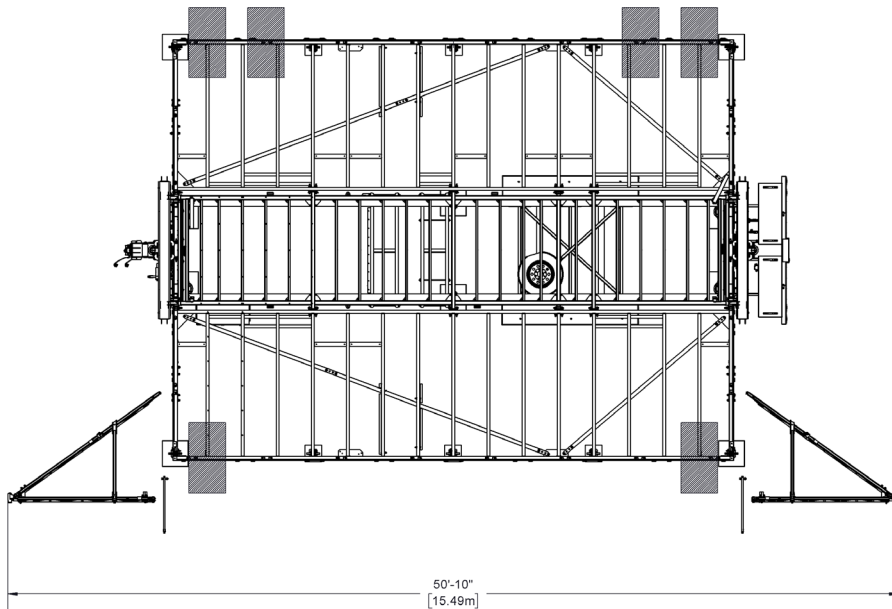
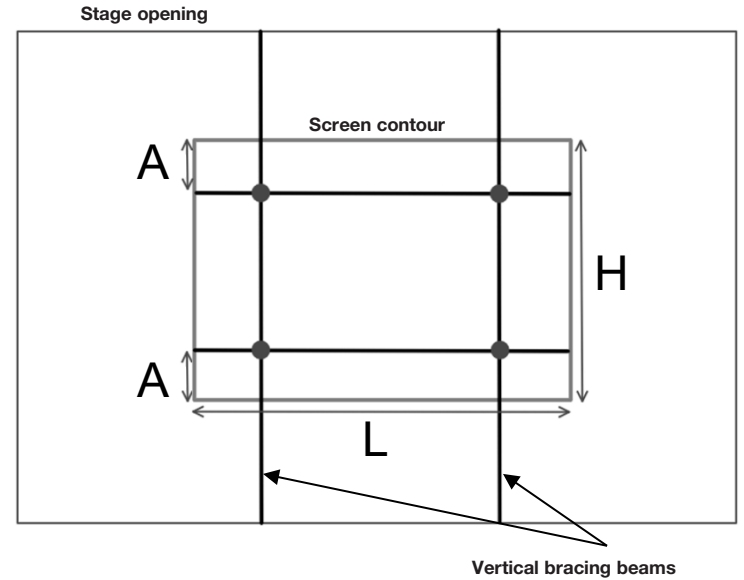
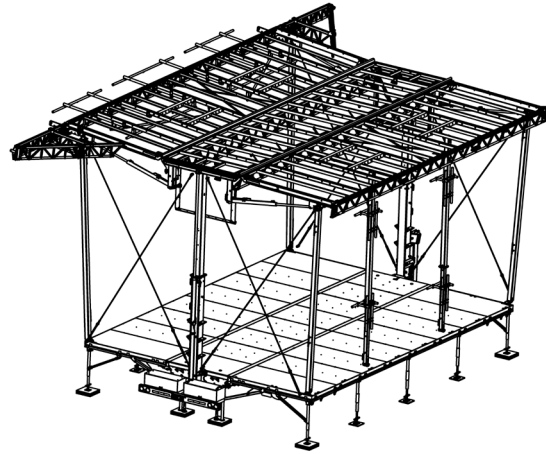
SL225

Upstage video wall bracing system must be used when screen area exceeds 100 ft² (9.3 m²).

When upstage video wall bracing system is used :

- 8 bracing cables must be installed
- 6 x 2200 lb (1000 kg) ballast blocks must be installed and tied to the floor structure near the corner post leg, as shown here

Maximum upstage screen area is 305 ft² (28 m²).



Screen height H (m)	Screen width (16:9) L (m)	Horizontal screen edge distance to screen anchor point A (m)
2.5	4	0.833
2.5	4.5	0.833
3	5	0.845
3	5.5	0.647
3.5	6	0.473
3.5	6.5	0.354
4	7	0.335

RIGGING PLAN

1/5

SL225

A THOROUGH UNDERSTANDING OF THE INTER-RELATED LOADINGS SHOWN IN THIS RIGGING PLAN IS NEEDED IN ORDER TO SAFELY USE THIS MOBILE STAGE ROOF AND TAKE FULL ADVANTAGE OF THE MANY RIGGING OPPORTUNITIES IT OFFERS.

This mobile stage roof offers a variety of rigging options with regard to load capacity, placement and type.

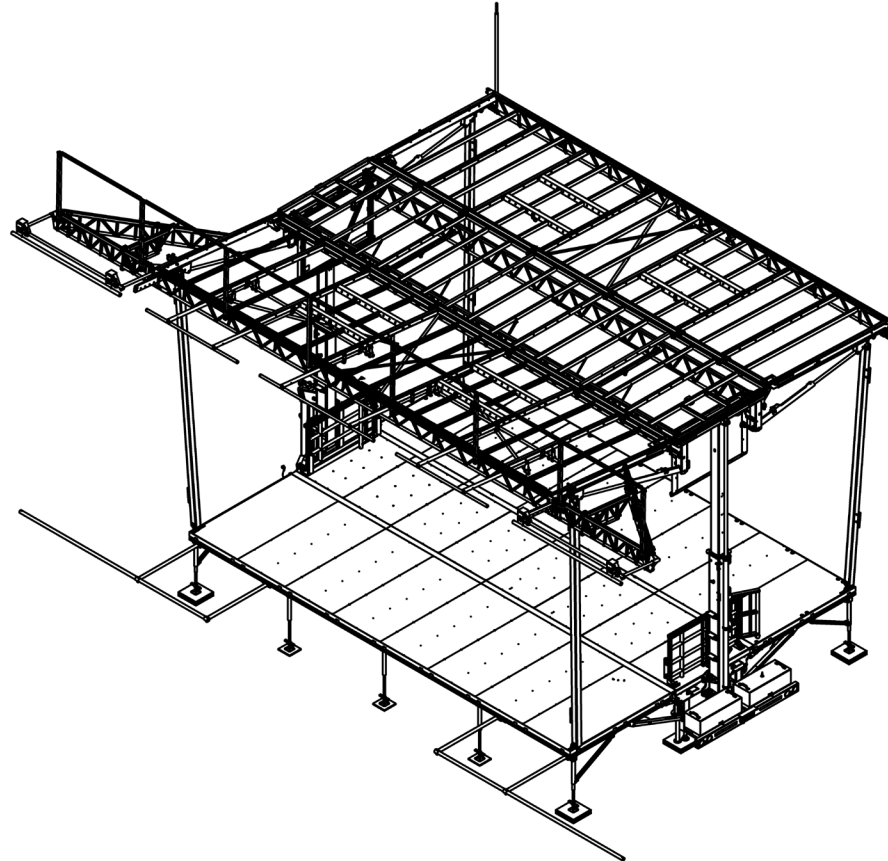
There are rigging pipes, trusses, roof rigging points and side overhang rigging beams.

This rigging plan locates and defines these rigging features, includes load capacity for each and describes maximum combinations of loads amongst features.

Take note of exclusions, maximum sub-totals in a group, load balance requirements, maximum lifting capacity of roof and maximum rigging load on roof.

The maximum load on the roof is less than the sum of the maximum load on each rigging feature.

Refer to Operator's Manual for procedures in regards to proper setup and setup methods of the stage and its options.



The information contained in the current document is final and must be considered as such. They are derived from design briefs and summarized to help the user plan rigging configurations safely. It is therefore mandatory that the user follows and respects the capabilities and limitations described herein. Overloading of stage components above their specified capacity may result in structural failure, equipment damage, injury or death. Stageline cannot be held responsible if the user, himself or subcontractors under his supervision, derogate from this document and/or the approved rigging plan. If a desired configuration cannot meet these requirements, the user must contact Stageline to analyse the case and obtain further instructions. Special restrictions and limitations may apply.

Certain authorities may require that a rig configuration plan, signed and sealed by a recognized member of a professional body, be available to allow the stage to be setup on their territory. This document was not intended to and cannot be used or considered as an official document or certificate to serve this purpose. Contact responsible authorities or Stageline for details.



Drawings may show stage equipped with optional accessories. May be sold separately.

© 2025 - All rights reserved, Stageline Mobile Stage Inc. Any and all forms of adaptation or reproduction of this document including the plans and drawings, in whole or in part, are strictly forbidden without the written authorisation of Stageline Mobile Stage Inc. Mass may vary depending on options. Technical specifications may change without notice. Stage specifications are subject to change without notice. Figures are nominal.

RIGGING PLAN

2/5

SL225

SL225 RIGGING RESTRICTIONS:

- Maximum total load capacity : 18000 lbs
- Maximum load capacity Zone A : 4300 lbs
- Maximum load capacity Zone B : 2000 lbs
 - Line Array loads must be considered on P20 & P31.
 - Side Overhang Brace loads must be considered on P25.
- Maximum load capacity Zone C or Zone G : 1050 lbs
 - Zone C or Zone G load is equal to the sum of the point loads on B1, B2, B3 & B4 included in the zone.
 - T2 can't be loaded when using Zone C or Zone G.
 - T1 load capacity is reduced when using Zone C or Zone G, see Table 01.
 - P39 & P40 can't be loaded when using Zone C.
- Maximum load capacity Zone D or Zone F : 1775 lbs
 - Zone D or Zone F load is equal to the sum of the point loads on B1, B2, B3 & B5 included in the zone.
 - T1 can't be loaded when using Zone D or Zone F.
 - T2 load capacity is reduced when using Zone D or Zone F, see Table 02.
- Maximum load capacity Zone E : 1450 lbs
 - Zone E load is equal to the sum of the loads on B6, B7 & B8.
 - T1s can't be loaded when using Zone E.
- B4 & B5 can't be loaded simultaneously with either B2 or B3.
- The sum of the loads on Zone C & Zone D can't exceed 1050 lbs.
- The sum of the loads on Zone C & Zone E can't exceed 1775 lbs.
- The sum of the loads on Zone D & Zone E can't exceed 1325 lbs.
- The sum of the loads on Zone G & Zone F can't exceed 1050 lbs.
- The sum of the loads on Zone G & Zone E can't exceed 1775 lbs.
- The sum of the loads on Zone F & Zone E can't exceed 1325 lbs.
- Always load the roof symmetrically about center. For atypical loads, contact Stageline for information.
- P39 and P40 points must be evenly distributed or centered at a single point not exceeding 350 lb.
- Do not load more than 30 lb/ft per moveable hanging bar or 180 lb at a single centered point.
- The load capacity of central moveable beams corresponds to that of beams B6, B7, or B8, depending on their location:
 1. As B6 if positioned between the roof edge and beam B6.
 2. As B7 if positioned between B6 and B7.
 3. Otherwise, as B8.

LIFTING RESTRICTIONS

- MAXIMUM ROOF LIFTING CAPACITY: 8000 lb (3630 kg).
- Maximum asymmetric load difference between downstage and upstage roof must not exceed 2000 lb (907 kg) including loads on T1 trusses.
- When lifting, make sure loads are evenly divided between right and left side of roof.
- Raise screen only when roof is lifted with corner posts and telescopic columns pinned and secured.
- Maximum load on each downstage and upstage roof panels 2000 lb (907 kg)

MAIN ELEMENTS CAPACITY		
ELEMENT	Lbs	kg
TOTAL	18000	8165
ZONE A	4300	1950
ZONE B	2000	907
ZONE C/G	1050	476
ZONE D/F	1775	805
ZONE E	1450	658
ZONE C/G + ZONE D/F	1050	476
ZONE C/G + ZONE E	1775	805
ZONE D/F + ZONE E	1325	601
B1	1450	658
B2	1250	567
B3	800	363
B4	850	431
B5	1000	454
B6	1450	658
B7	1450	658
B8	850	386
SIDE OVERHANG	2000	907
SIDE OVERHANG BRACE	750	340
LINE ARRAY	1500	680

LOAD DISTRIBUTION TABLES:

SIDE OVERHANG BRACE TO SIDE OVERHANG		
LINE ARRAY	P25	
P26	89%	
P27	89%	
P28	69%	
P29	56%	
P30	46%	
P31	35%	
P32	24%	
P33	13%	

LINE ARRAY TO SIDE OVERHANG		
LINE ARRAY	P20	P31
P34	87%	13%
P35	74%	26%
P36	53%	47%
P37	32%	68%

FOH TO T2 TRUSS			
FOH	P3 (T2)	P6 (T2)	P8 (T2)
P39	41%	41%	
P40			54%

T2 TRUSS		
Point No.	Lbs	kg
P1	1450	635
P2	1450	635
P3	1450	635
P4	1450	635
P5	1150	499
P6	950	431
P7	800	363
P8	700	318
P9	650	295

T1 TRUSS		
Point No.	Lbs	kg
P10	1550	748
P11	1550	748
P12	1550	748
P13	1300	612
P14	1300	590
P15	1000	454
P16	900	408
P17	800	408
P18	550	249

SIDE OVERHANG		
Point No.	Lbs	kg
P19	2000	907
P20	1150	711
P21	1500	680
P22	1300	612
P23	1200	544
P24	950	431
P25	800	363

SIDE OVERHANG BRACE		
Point No.	Lbs	kg
P26	750	340
P27	750	340
P28	750	340
P29	750	340
P30	750	340
P31	750	340
P32	750	340
P33	750	340

T2 load capacity is reduced when using Zone D or Zone F

TABLE 02 - T2 TRUSS		
Point No.	Lbs	kg
P1	350	159
P2	350	159
P3	350	159
P4	350	159
P5	250	113
P6	200	91
P7	200	91
P8	150	68
P9	150	68

T1 load capacity is reduced when using Zone C or Zone G

TABLE 01 - T1 TRUSS		
Point No.	Lbs	kg
P10	1050	478
P11	1050	478
P12	1050	478
P13	1050	478
P14	800	363
P15	650	295
P16	550	249
P17	550	249
P18	550	249

Zone A: 4300 lbs

Zone B: 2000 lbs

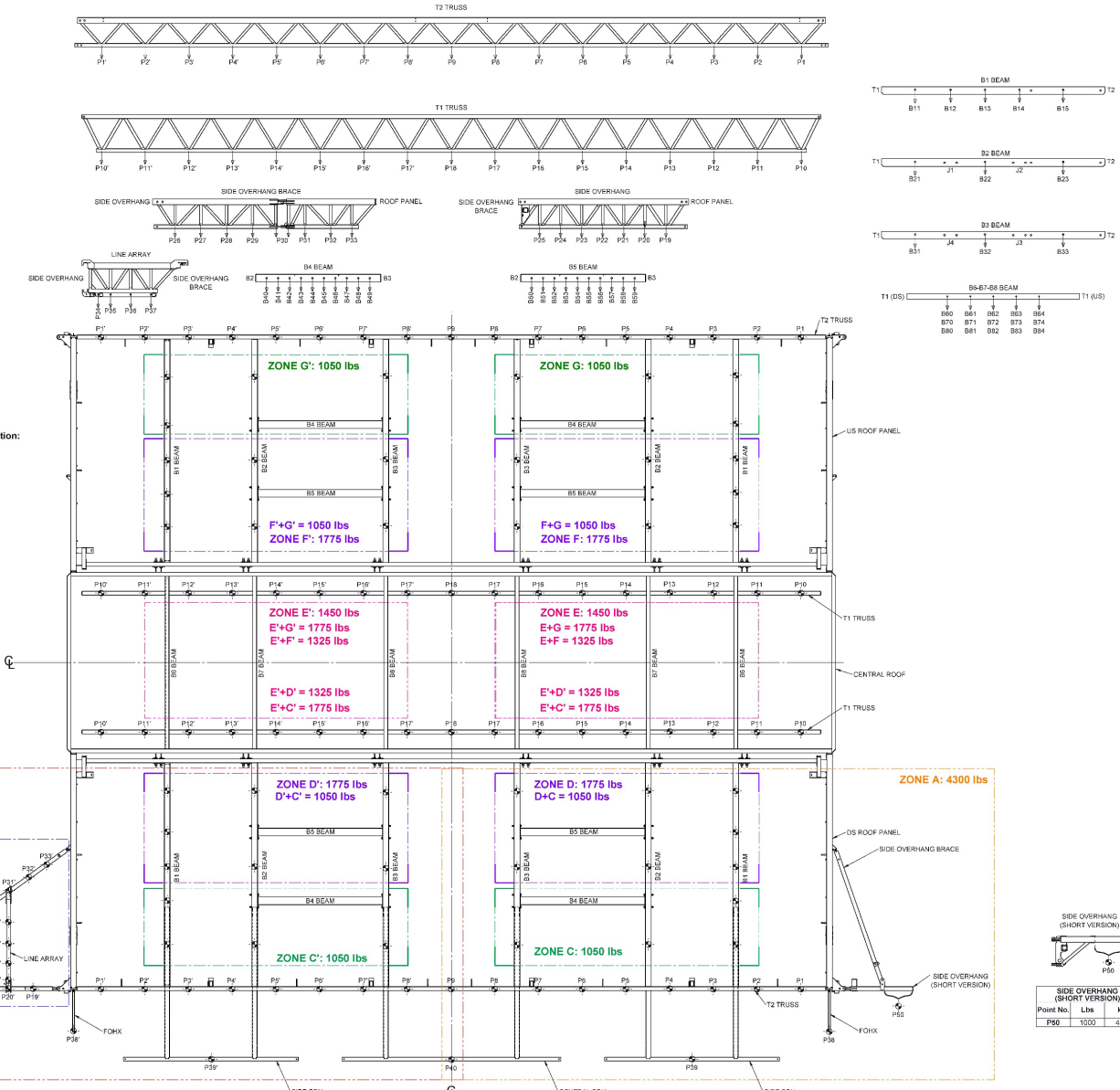
Zone C: 1050 lbs

Zone D: 1775 lbs

Zone E: 1450 lbs

Zone F: 1775 lbs

Zone G: 1050 lbs

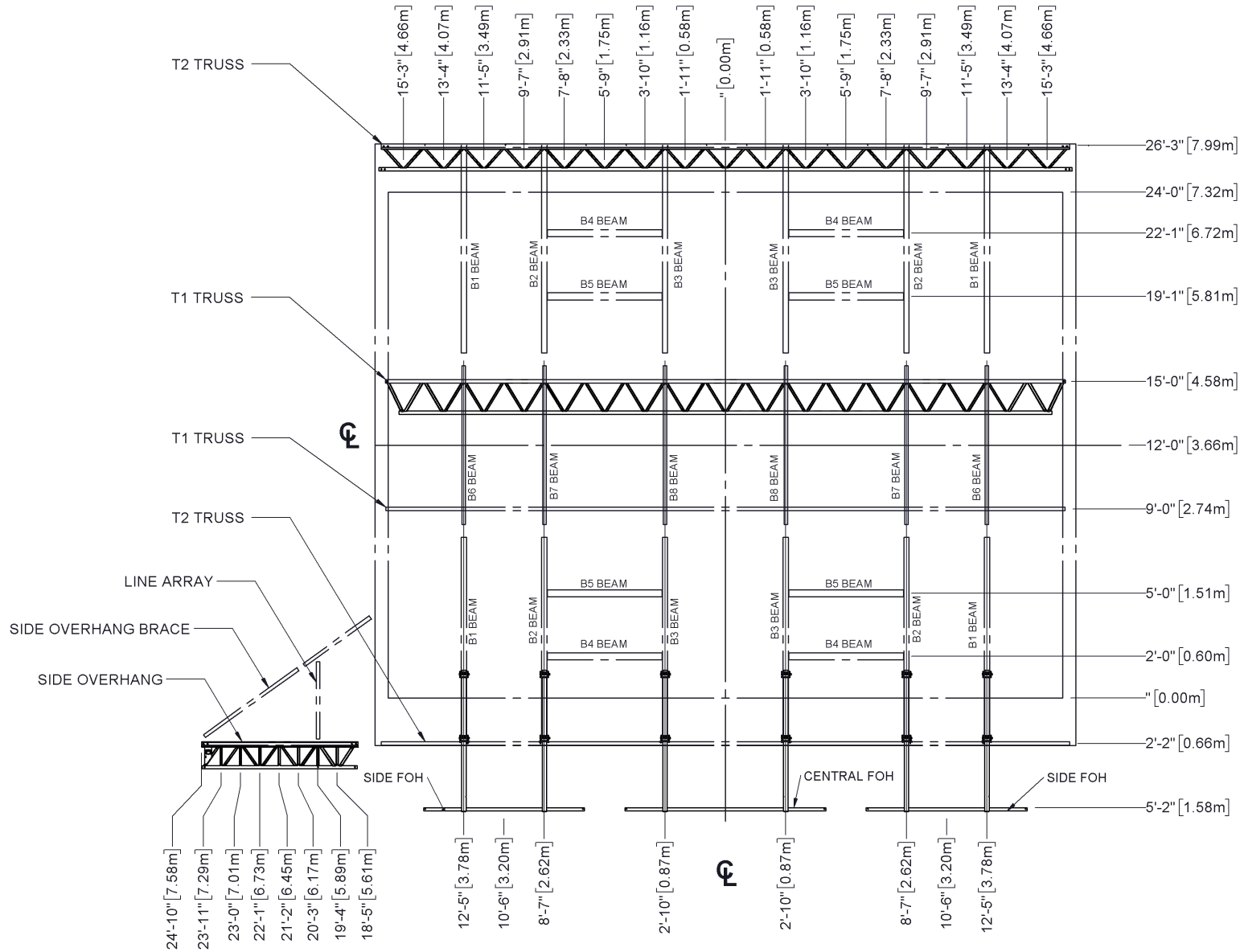


SL225 ROOF RIGGING POINTS - TOP VIEW

RIGGING PLAN

3/5

SL225

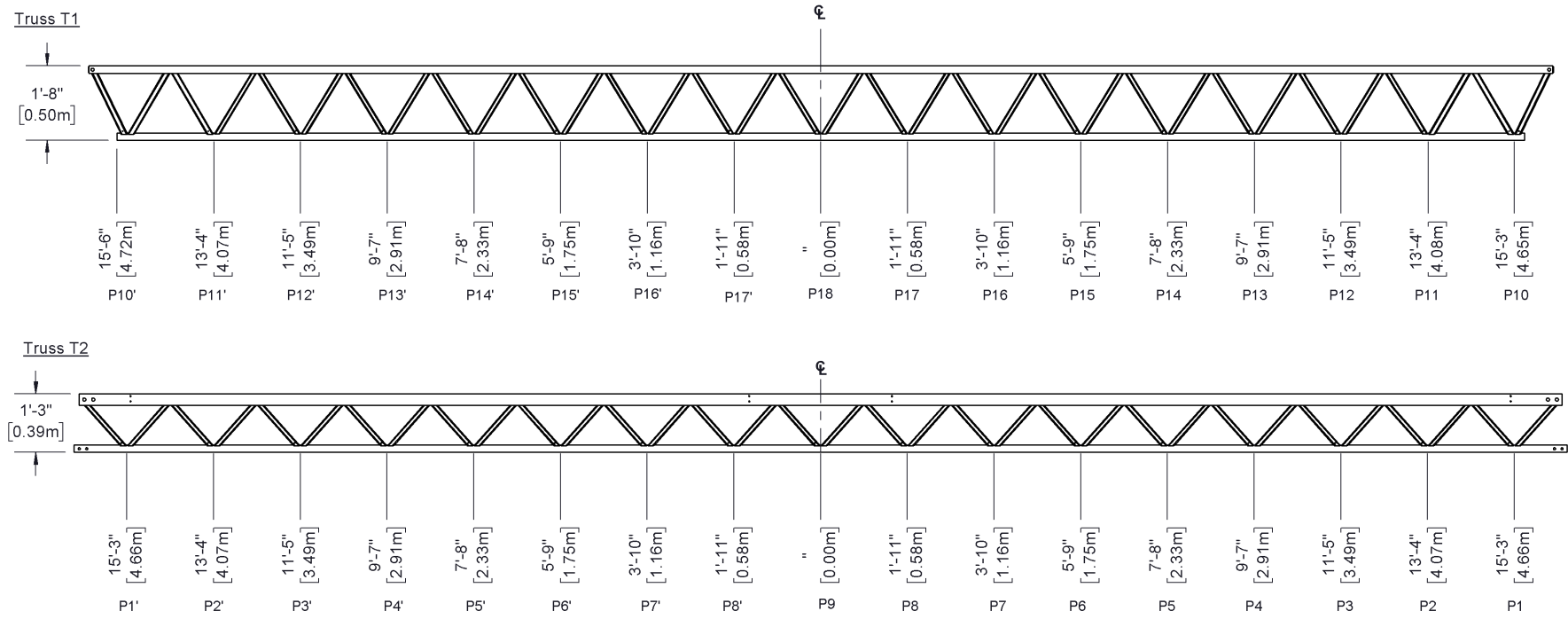


Drawings may show stage equipped with optional accessories. May be sold separately.
 © 2025 - All rights reserved, Stageline Mobile Stage Inc. Any and all forms of adaptation or reproduction of this document including the plans and drawings, in whole or in part, are strictly forbidden without the written authorisation of Stageline Mobile Stage Inc. Mass may vary depending on options. Technical specifications may change without notice. Stage specifications are subject to change without notice. Figures are nominal.

RIGGING PLAN

4/5

SL225



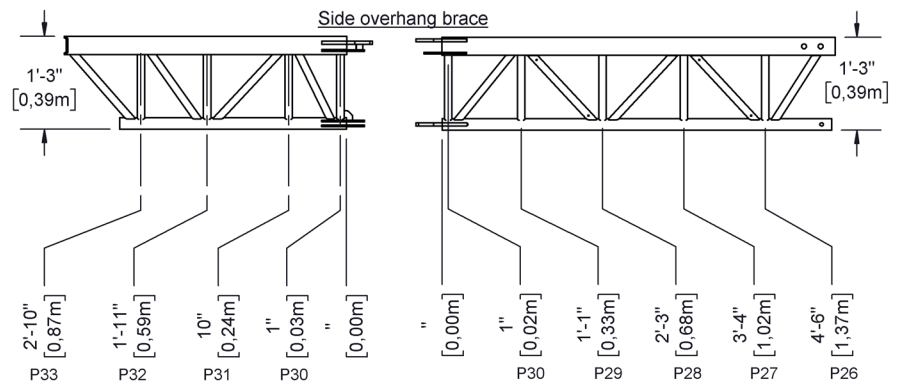
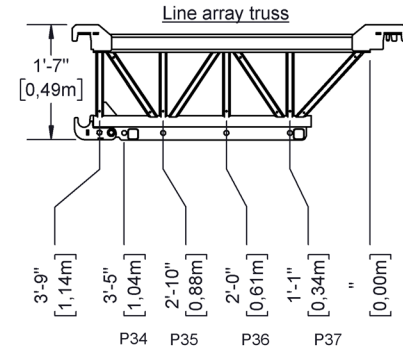
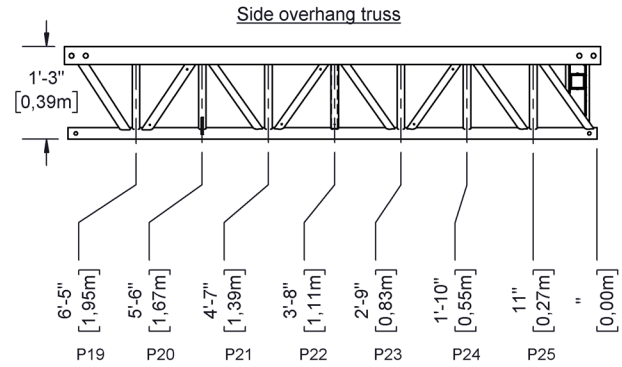
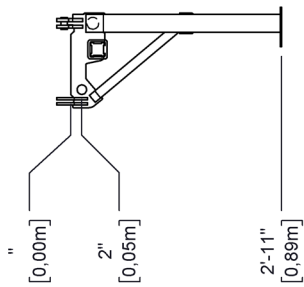
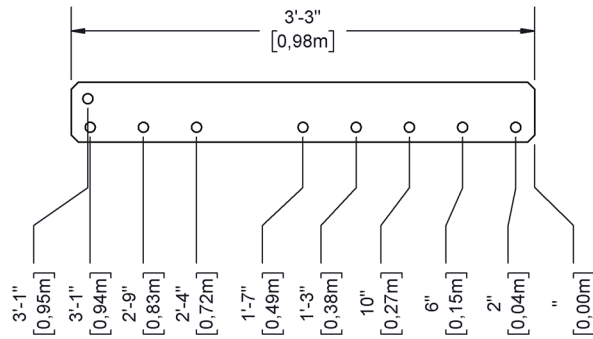
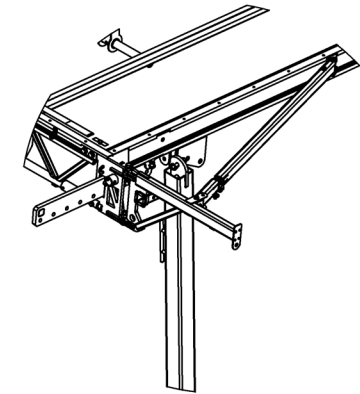
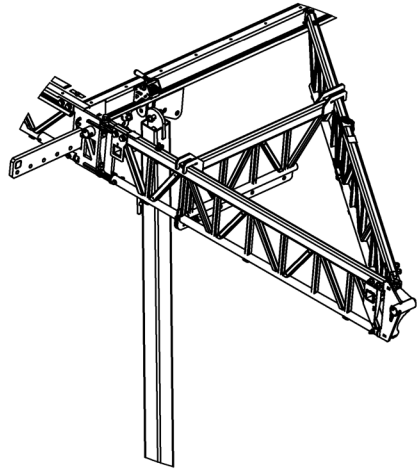
$$\text{Truss T2: } \frac{\text{Load P1}}{\text{Capacity P1}} + \frac{\text{Load P2}}{\text{Capacity P2}} + \frac{\text{Load P3}}{\text{Capacity P3}} + \frac{\text{Load P4}}{\text{Capacity P4}} + \frac{\text{Load P5}}{\text{Capacity P5}} + \frac{\text{Load P6}}{\text{Capacity P6}} + \frac{\text{Load P7}}{\text{Capacity P7}} + \frac{\text{Load P8}}{\text{Capacity P8}} + \frac{\text{Load P9}}{\text{Capacity P9}} \leq 1.00$$

*Valid for symmetric loads only. In other cases, contact Stageline for assistance.

RIGGING PLAN

5/5

SL225



Drawings may show stage equipped with optional accessories. May be sold separately.
 © 2025 - All rights reserved, Stageline Mobile Stage Inc. Any and all forms of adaptation or reproduction of this document including the plans and drawings, in whole or in part, are strictly forbidden without the written authorisation of Stageline Mobile Stage Inc. Mass may vary depending on options.
 Technical specifications may change without notice. Stage specifications are subject to change without notice. Figures are nominal.

827, Boul. L'Ange-Gardien, L'Assomption
Quebec, Canada J5W 1T3
1 450.589.1063 / Amérique du Nord 1 800.267.8243
stageline.com

