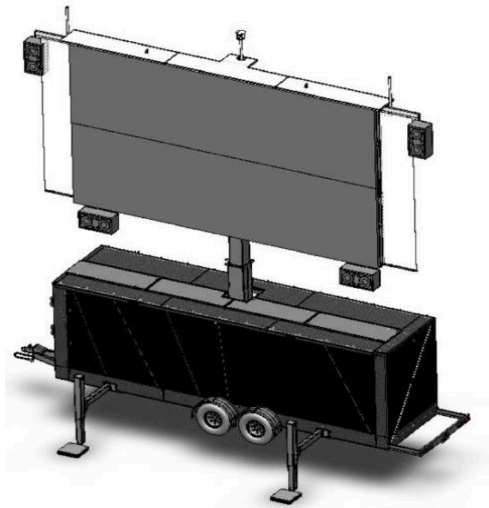


Stageline ST100 Screen Trailer

Screen Size: Upto 23' 7" x 13' 9"
Screen Height: Upto 29' 11"
Wind Resistance: 57 mph fully deployed
Trailer Weight: 11,250 lb



Standard Equipment *	\$	195 000
Options & accessories	\$	32 400
Services	\$	-
Sub-Total	\$	227 400
Total	\$	227 400

All prices are in USD
Taxes not included (if applicable)
Payment terms: 30% to confirm, balance prior to departure

Approval

Date:
Signature:
Name:
EIN # (if applicable):

STANDARD EQUIPMENT *

STRUCTURE, RIGGING & PERIPHERALS

Custom galvanized steel screen support	Load capacity 3,275 lb
Screen can rotate 360°	
Maximum screen size of 23' 7" x 13' 9"	Ideal screen size of 300ft²
Maximum screen height of 29' 11"	Bottom of the screen as high as 15'
Central galvanized steel hydraulic column	
Camlock connection box	
Wind meter	Linked to an alarm system for wind thresholds

HYDRAULICS

Central mast hydraulic lifting	Lifting Capacity: 5,000 lb - balanced load
High power integrated hydraulic system	
4 Hydraulic stabilizers / stage levels from 1' 6" to 2' 10"	
Camera levelling	All around camera system with monitor
Gas engine	No other power source required

TRAILER

Drawbar with pintle eye	
2 torsion axles	Capacity: 7,000 lb per axle
4 galvanized steel wheels	Goodyear LT235/85R16
Electric brakes on all wheels	
Emergency breakaway system	DOT requirement
Storage weight capacity	GVWR: 17,000 lb - adaptable to your requirements
Interior & exterior LED work lights	
2 access doors	
Retractable rear bumper for additional storage	Capacity: 1,500 lb
Trailer trims - aluminum checker plate	

STANDARDS & CERTIFICATIONS

Applicable regulations	IBC, SAE, DOT, NFPA, CBC, NBC & CWB
Vertical load:	Floor: 7.18 KPa (150 psf) / Roof: 1 KPa (20 psf)
Wind resistance:	Closed trailer - 115 mph
	Fully deployed - 57 mph
Certificate stamped by professional engineers	
All technical documents supplied	
24/7 service support +1(800) 267-8243	

OPTIONS & ACCESSORIES

		Price (USD)	Quantity	
A	CONTROL ROOM			
a1	Fully weatherproof video control room - 8' x 2' 2"	\$ 3 650	1	\$ 3 650
a2	Electrical distribution	TBD		
a3	Air conditioning unit - Dometic 14k BTU	\$ 2 950	1	\$ 2 950
a4	Server rack: 44 slots	\$ 1 450	1	\$ 1 450
B	HYDRAULICS			
b1	Remote control to operate the screen hydraulic system	\$ 3 250		
b2	Electric motor, 5hp, 110 / 208V - 3ph hydraulic connections and pump for dual power (steel storage compartment included)	\$ 3 200	1	\$ 3 200
C	TRAILER OPTIONS			
c1	Hydraulic foldable gooseneck for kingpin (instead of drawbar with pintle eye)	\$ 6 500		
c2	Hydraulic foldable gooseneck for ball hitch (instead of drawbar with pintle eye)	\$ 6 500		
c3	King Pin connector only	\$ 1 100		
c4	Ball Hitch connector only	\$ 1 100		
c5	Drawbar - 2 5/16" ball coupler (instead of drawbar with pintle eye)	-		
c6	Rear bumper hitch (instead of retractable bumper) - 1,500 lb pulling capacity	\$ 2 200		
c7	3rd axle - additional 5,550 lb capacity	\$ 4 000	1	\$ 4 000
D	LED SCREEN PACKAGE			
d1	Basic LED screen	TBD		
	Text text text			
	Text text text			
d2	High end LED screen	TBD		
	Text text text			
	Text text text			
E	GENERATOR PACKAGE			
e1	25-30 kW generator with sound dampening and fuel tank (c7 required)	TBD		
e2	Transfer switch for mains power (added to Camlock box)	\$ 3 750	1	\$ 3 750
F	SOUND RIGGING & BANNERS			
f1	Flybays for speakers - capacity 200 lb per side and lateral banner supports 3' x 15'	\$ 1 050	1	\$ 1 050
f2	Top banner support - 24' x 2'	\$ 750	1	\$ 750
G	ACCESSORIES			
g1	Temporary roof enclosure installed when screen is deployed	\$ 3 200	1	\$ 3 200
g2	Spare wheel with storage rack	\$ 950	1	\$ 950
g3	Aluminum stairway - 8 steps - adjustable - 35" wide - with handrails	\$ 1 725		
g4	Railing extrusion for Stageline platforms	\$ 850	1	\$ 850
g5	Extension platform (black non-slip) & accessories - 4' x 8'	\$ 1 300		
g6	Guardrail (platform model) / aluminum - 3' 8"	\$ 205		
g7	Black powder coated checker plate on trims	\$ 4 200	1	\$ 4 200
g8	Aluminum wheels - qty 4 (or 6 if c7 selected)	\$ 400	6	\$ 2 400
g9	Full trailer wrap	TBD		
L	MISCELLANEOUS			
l1	Misc 1	TBD		

Total for Options & Accessories \$ 32 400

SERVICES

		Price (USD)	Quantity	
m1	SERVICES			
m1	Trailer shrink wrap	TBD		
m2	Transport	TBD		
m3	Transport to Champlain, NY - includes customs paperwork	\$ 1 350		
m4	Online video training class - mandatory	-		INCLUDED

Total for Services

*Prices & specifications subject to change without notice

Stageline ST100 - Sales Quote 2022



Costs related to transportation, training and trainer expenses (travel, accommodation and per diem) not included.
EXW: L'Assomption, Quebec, Canada

Stageline Mobile Stage Inc.
700 Marsolais Street, L'Assomption, Quebec, Canada J5W 2G9

Tel.: (450) 589-1063, Fax: (450) 589-1711
www.stageline.com